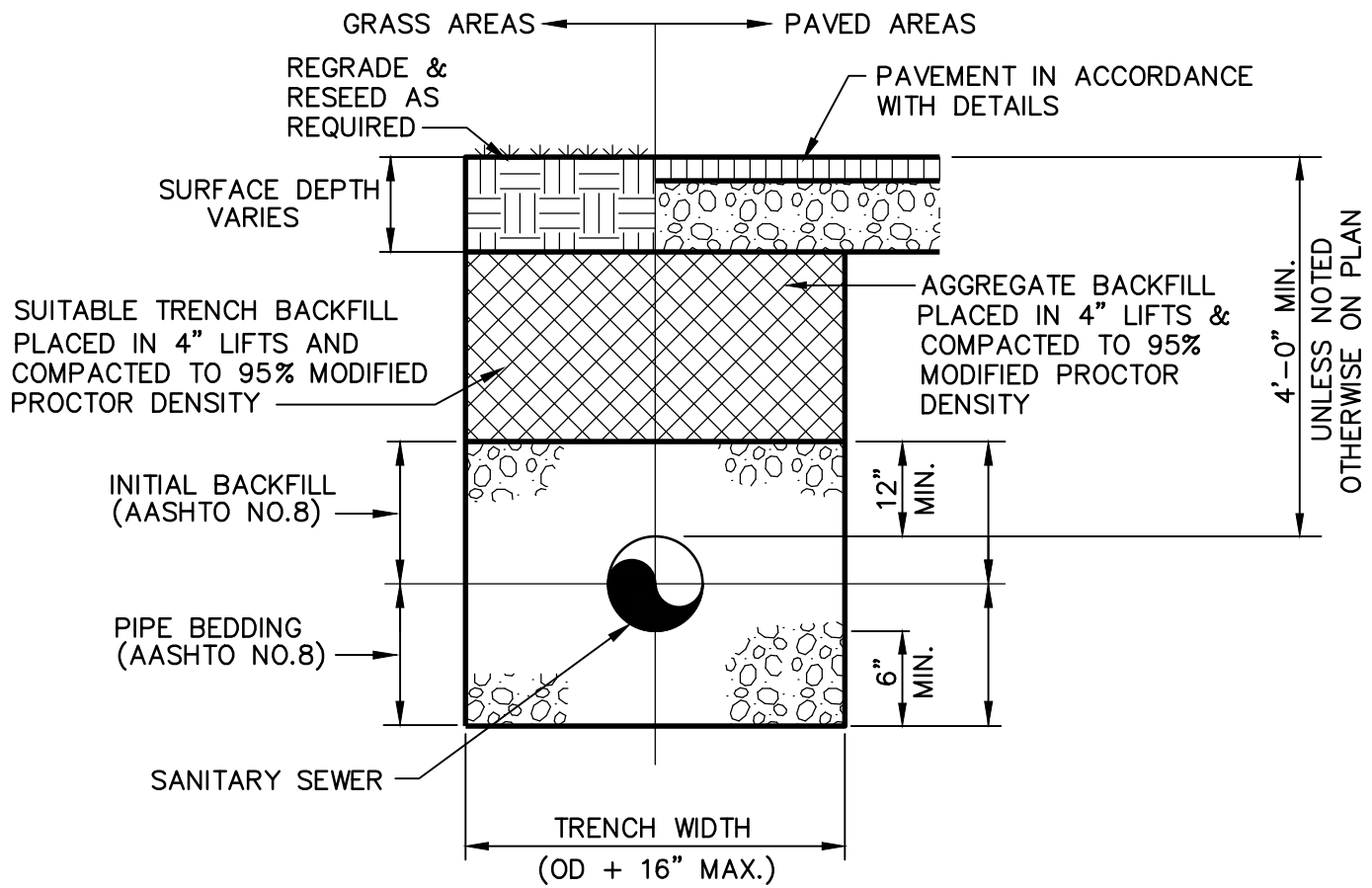


APPENDIX E

STANDARD CONSTRUCTION DETAILS



PIPE TRENCH DETAIL

NOT TO SCALE ©HRG

PROJECT #:	10194.0427
DATE:	JULY 2024
SCALE:	NTS
PM:	MWS

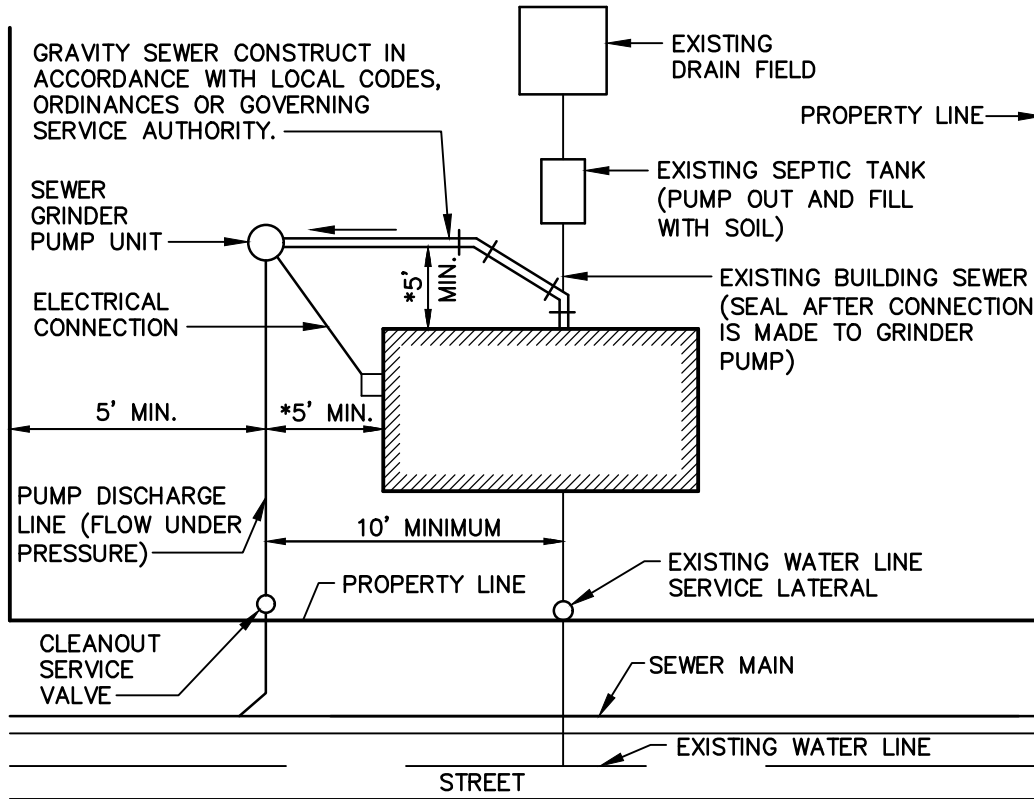
SHEET:	1
D02-24	

SCOTT TOWNSHIP SEWER & WATER AUTHORITY SEWER SYSTEM DETAILS

SCOTT TOWNSHIP LACKAWANNA COUNTY PENNSYLVANIA



HERBERT, ROWLAND & GRUBIC, INC.
P.O. BOX 504
CLARKS SUMMIT, PA 18411
570.851.2804 | hrg-inc.com



* OR AS REQUIRED BY LOCAL CODES, ORDINANCES OR RULES AND REGULATIONS OF GOVERNING SERVICE AUTHORITY

GRINDER PUMP INSTALLATION DETAIL

NOT TO SCALE

©HRG

PROJECT #:	10194.0427
DATE:	JULY 2024
SCALE:	NTS
PM:	MWS

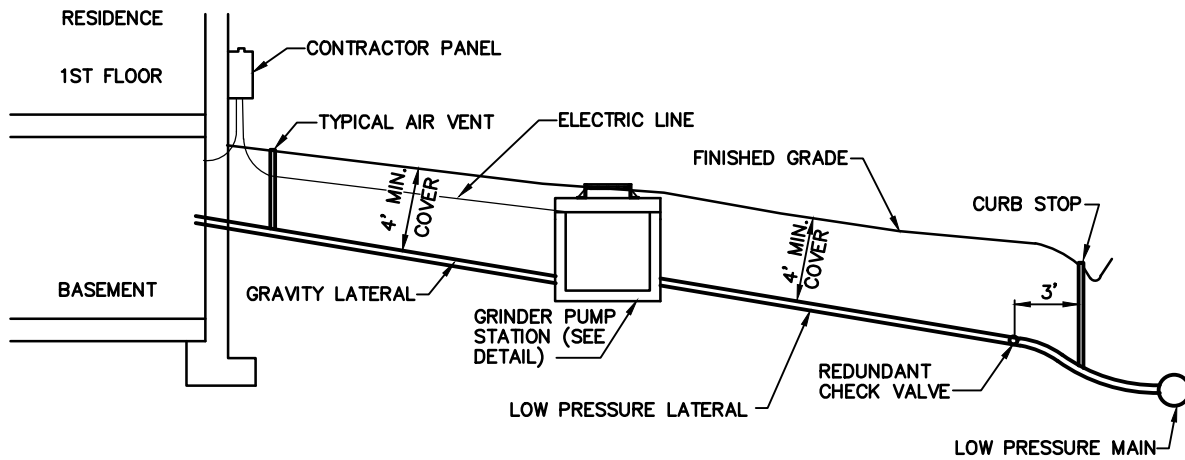
SCOTT TOWNSHIP SEWER & WATER AUTHORITY SEWER SYSTEM DETAILS



HERBERT, ROWLAND & GRUBIC, INC.
P.O. BOX 504
CLARKS SUMMIT, PA 18411
570.851.2804 | hrg-inc.com

SHEET:	1
D02-24	

SCOTT TOWNSHIP LACKAWANNA COUNTY PENNSYLVANIA



**LOW PRESSURE SEWER SYSTEM
HOME CONNECTION DETAIL**

NOT TO SCALE

PROJECT #:	10194.0427
DATE:	JULY 2024
SCALE:	NTS
PM:	MWS

SHEET:	1
D02-24	

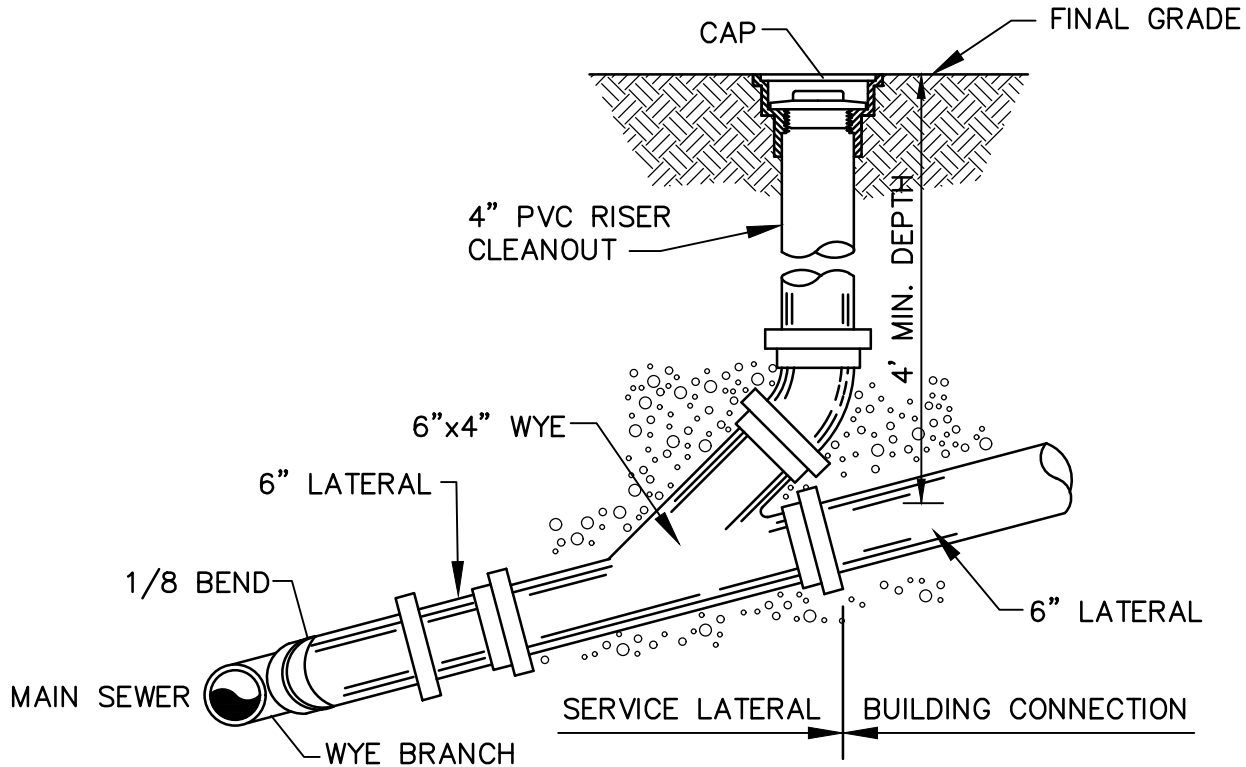
**SCOTT TOWNSHIP SEWER & WATER AUTHORITY
SEWER SYSTEM DETAILS**

SCOTT TOWNSHIP LACKAWANNA COUNTY PENNSYLVANIA



HERBERT, ROWLAND & GRUBIC, INC.
P.O. BOX 504
CLARKS SUMMIT, PA 18411
570.851.2804 | hrg-inc.com

CLEANOUT TO TERMINATE ABOVE
OR FLUSH WITH GROUND LEVEL.



NOTES:

1. ALL SERVICE LATERALS TO BE A MINIMUM OF 1.00% SLOPE UNLESS OTHERWISE DIRECTED AND ALL BUILDING CONNECTIONS SHALL BE AT A MINIMUM 2.00% SLOPE

GRAVITY SYSTEM LATERAL CLEANOUT

NOT TO SCALE

PROJECT #:	10194.0427
DATE:	JULY 2024
SCALE:	NTS
PM:	MWS

**SCOTT TOWNSHIP SEWER & WATER AUTHORITY
SEWER SYSTEM DETAILS**



HERBERT, ROWLAND & GRUBIC, INC.
P.O. BOX 504
CLARKS SUMMIT, PA 18411
570.851.2804 | hrg-inc.com

SHEET:	1
D02-24	

SCOTT TOWNSHIP LACKAWANNA COUNTY PENNSYLVANIA

NOTE: ALL FITTINGS ASSOCIATED WITH CLEANOUT, TRAP AND VENT SHALL BE SOLVENT WELD.

THREADED CLEANOUT CAP

5' MIN.

MUSHROOM VENT CAP

3"

FINISHED GRADE

VENT AND CLEANOUT SAME SIZE AND MATERIAL AS BUILDING SEWER

BUILDING

CLEANOUT

VENT

BUILDING SEWER TO SEWER MAIN SLOPE @ 1.0% MIN. SEE PLAN FOR SIZE

BUILDING SEWER MIN. SLOPE 1/4" PER FT.

ADAPTER COUPLING (OR TRANSITION GASKET)

U-BEND TRAP

AASHTO NO. 8 COARSE AGGREGATE 6" BELOW AND 12" ABOVE PIPE

TRAP AND VENT DETAIL

NOT TO SCALE

©HRG

PROJECT #:	10194.0427
DATE:	JULY 2024
SCALE:	NTS
PM:	MWS

SCOTT TOWNSHIP SEWER & WATER AUTHORITY
SEWER SYSTEM DETAILS

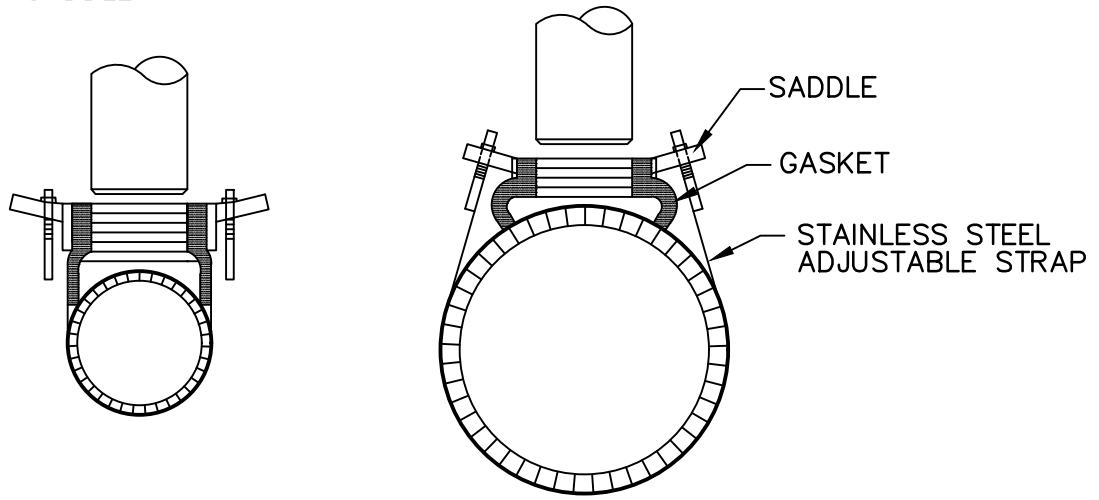


HERBERT, ROWLAND & GRUBIC, INC.
P.O. BOX 504
CLARKS SUMMIT, PA 18411
570.851.2804 | hrg-inc.com

SHEET:	1
D02-24	

SCOTT TOWNSHIP LACKAWANNA COUNTY PENNSYLVANIA

NOTE—SANITARY SEWER SADDLE SIMILAR TO ROMAC IND. INC. ROMAC "CB" SEWER SADDLE



TYPICAL SADDLE CONNECTION

NOT TO SCALE

©HRG

PROJECT #:	10194.0427
DATE:	JULY 2024
SCALE:	NTS
PM:	MWS

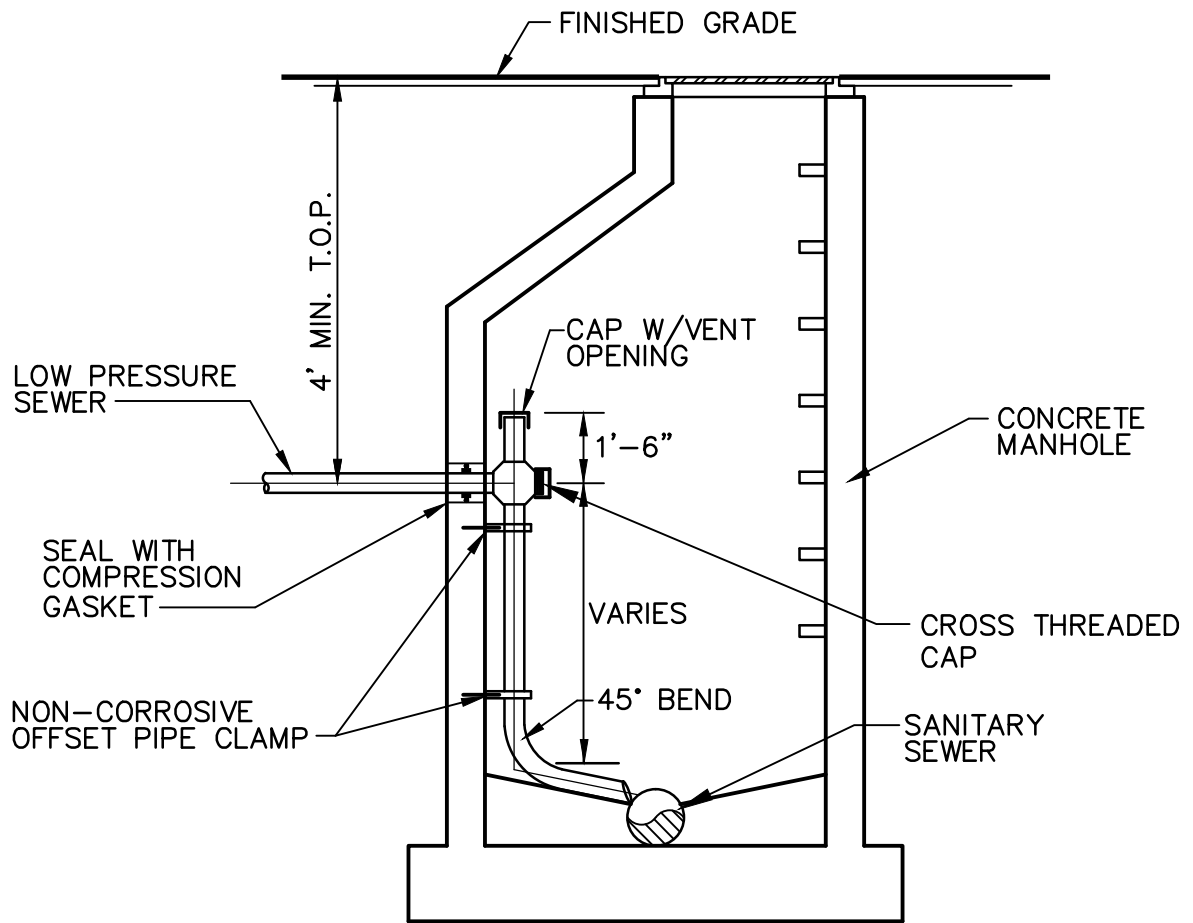
**SCOTT TOWNSHIP SEWER & WATER AUTHORITY
SEWER SYSTEM DETAILS**



HERBERT, ROWLAND & GRUBIC, INC.
P.O. BOX 504
CLARKS SUMMIT, PA 18411
570.851.2804 | hrg-inc.com

SHEET:	1
D02-24	

SCOTT TOWNSHIP LACKAWANNA COUNTY PENNSYLVANIA



LOW PRESSURE SEWER DISCHARGE MANHOLE DETAIL

NOT TO SCALE

©HRG

PROJECT #:	10194.0427
DATE:	JULY 2024
SCALE:	NTS
PM:	MWS

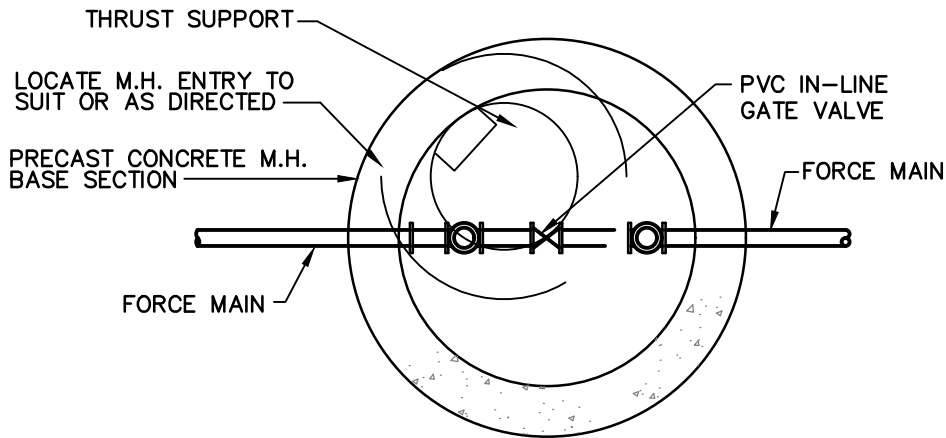
SCOTT TOWNSHIP SEWER & WATER AUTHORITY SEWER SYSTEM DETAILS



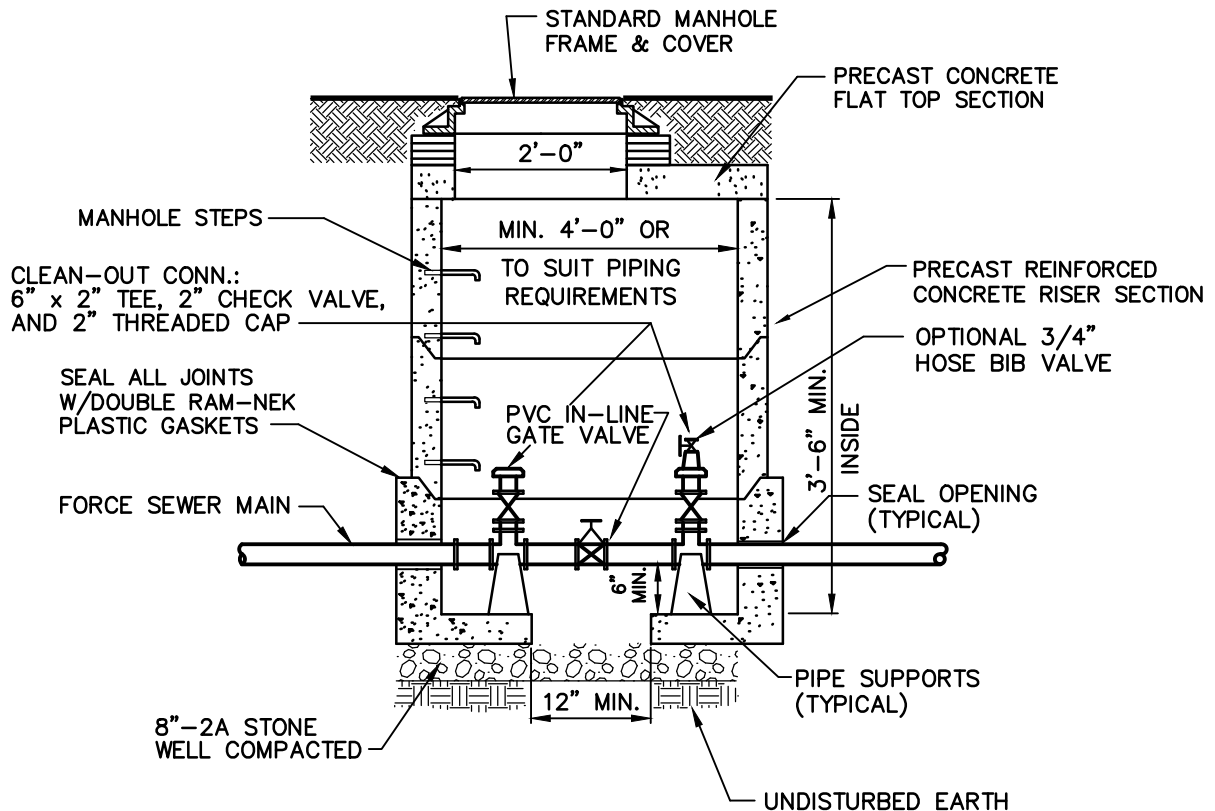
HERBERT, ROWLAND & GRUBIC, INC.
P.O. BOX 504
CLARKS SUMMIT, PA 18411
570.851.2804 | hrg-inc.com

SHEET:	1
D02-24	

SCOTT TOWNSHIP LACKAWANNA COUNTY PENNSYLVANIA



PLAN



SECTION

NOTE: DELETE SUMP IN AREAS WITH HIGH WATER TABLE

CLEAN-OUT MANHOLE

NOT TO SCALE ©HRG

PROJECT #:	10194.0427
DATE:	JULY 2024
SCALE:	NTS
PM:	MWS

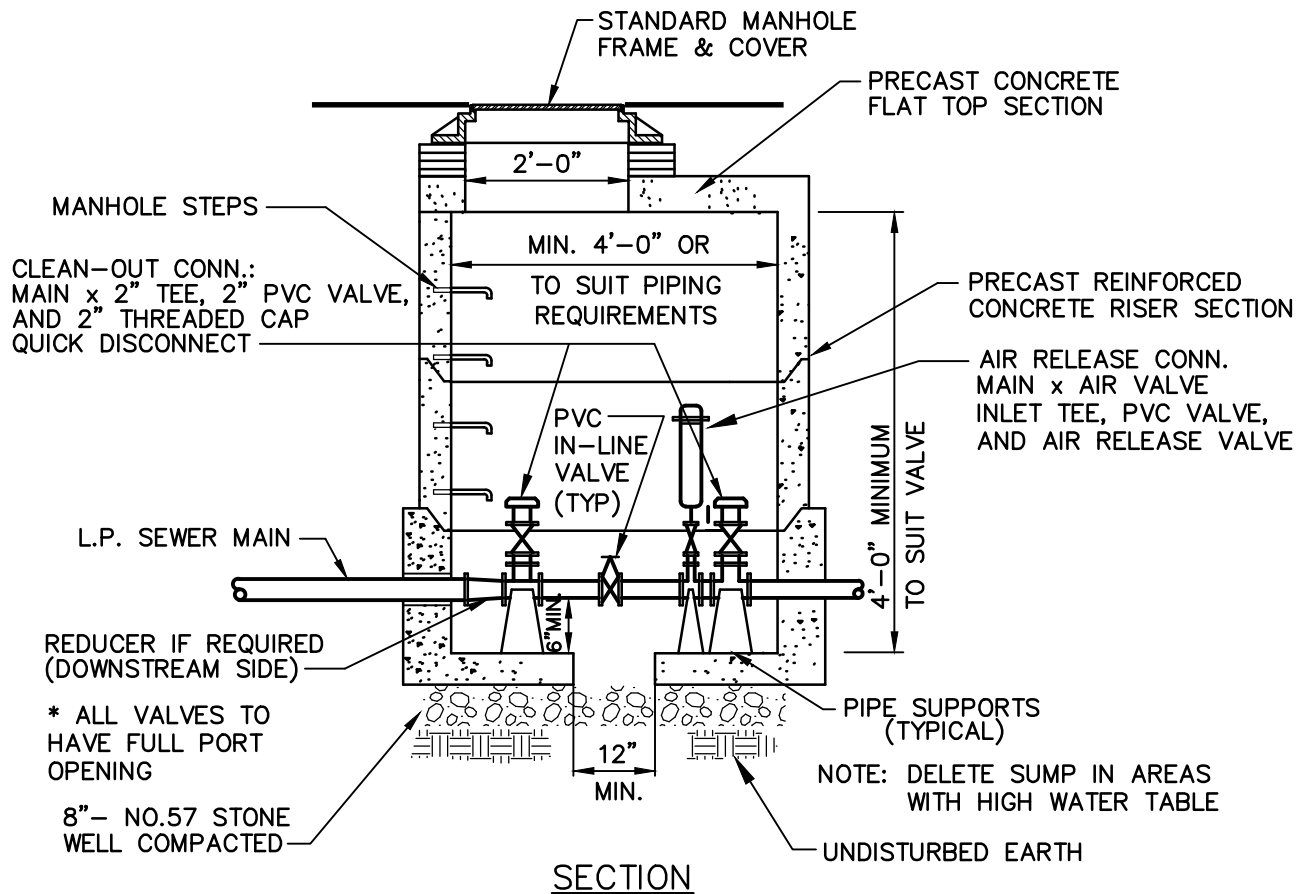
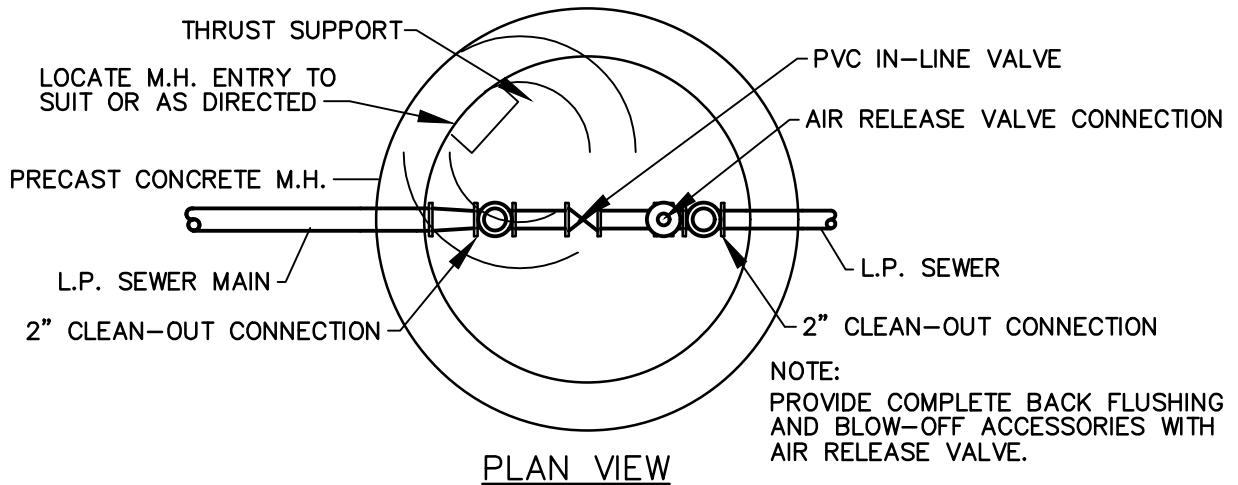
SHEET:	1
D02-24	

**SCOTT TOWNSHIP SEWER & WATER AUTHORITY
SEWER SYSTEM DETAILS**

SCOTT TOWNSHIP LACKAWANNA COUNTY PENNSYLVANIA



HERBERT, ROWLAND & GRUBIC, INC.
P.O. BOX 504
CLARKS SUMMIT, PA 18411
570.851.2804 | hrg-inc.com



AIR RELEASE-VALVE AND CLEAN-OUT MANHOLE

NOT TO SCALE

©HRG

PROJECT #:	10194.0427
DATE:	JULY 2024
SCALE:	NTS
PM:	MWS

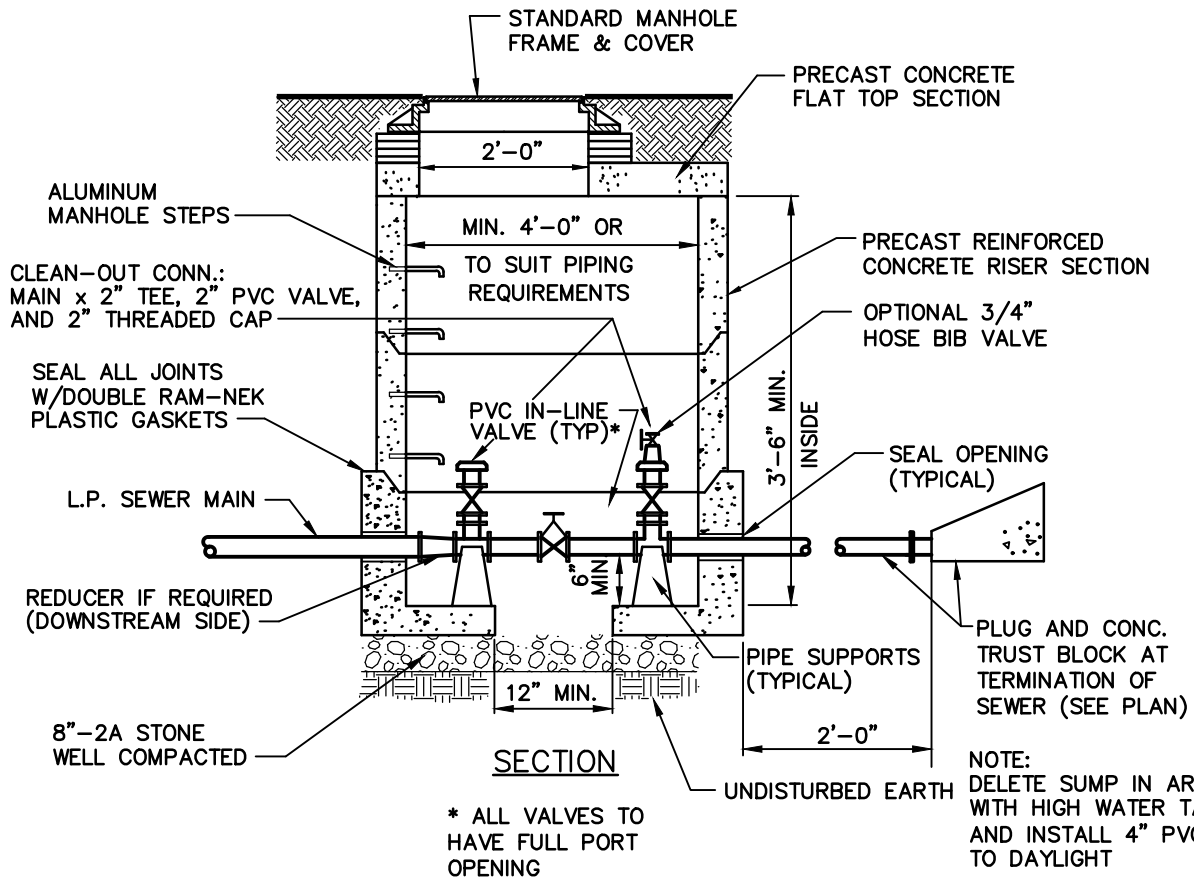
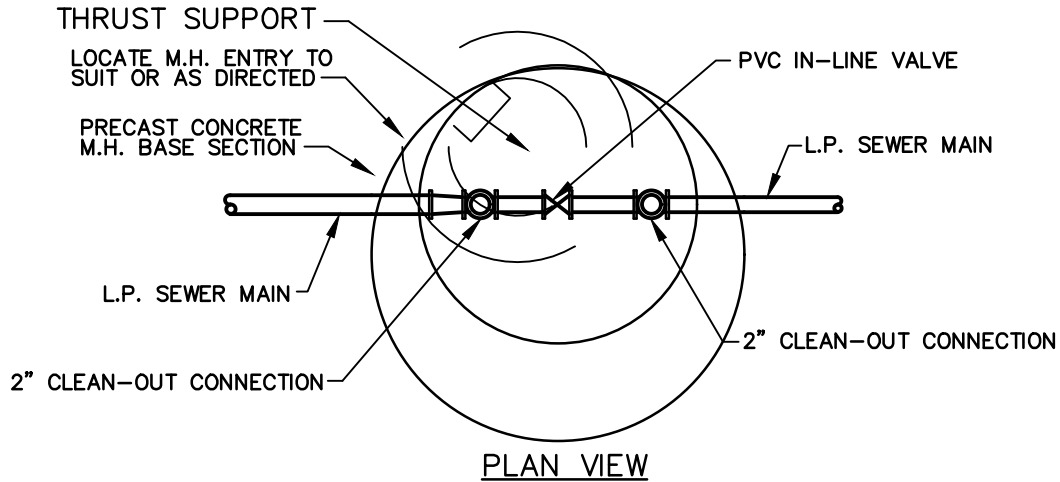
SHEET:	1
D02-24	

SCOTT TOWNSHIP SEWER & WATER AUTHORITY
SEWER SYSTEM DETAILS

SCOTT TOWNSHIP LACKAWANNA COUNTY PENNSYLVANIA



HERBERT, ROWLAND & GRUBIC, INC.
P.O. BOX 504
CLARKS SUMMIT, PA 18411
570.851.2804 | hrg-inc.com



VALVE AND CLEAN-OUT MANHOLE

NOT TO SCALE

©HRG

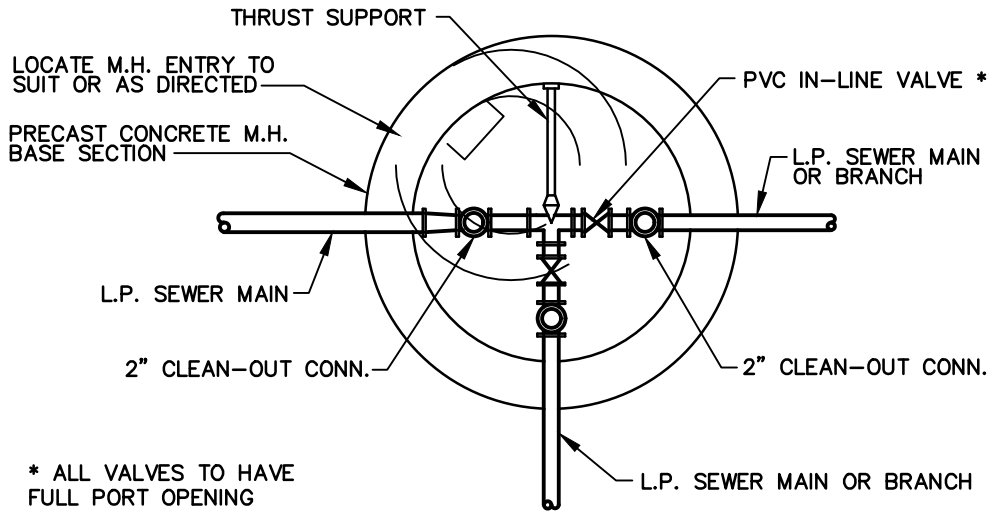
PROJECT #:	10194.0427
DATE:	JULY 2024
SCALE:	NTS
PM:	MWS
SHEET:	
D02-24	1

**SCOTT TOWNSHIP SEWER & WATER AUTHORITY
SEWER SYSTEM DETAILS**

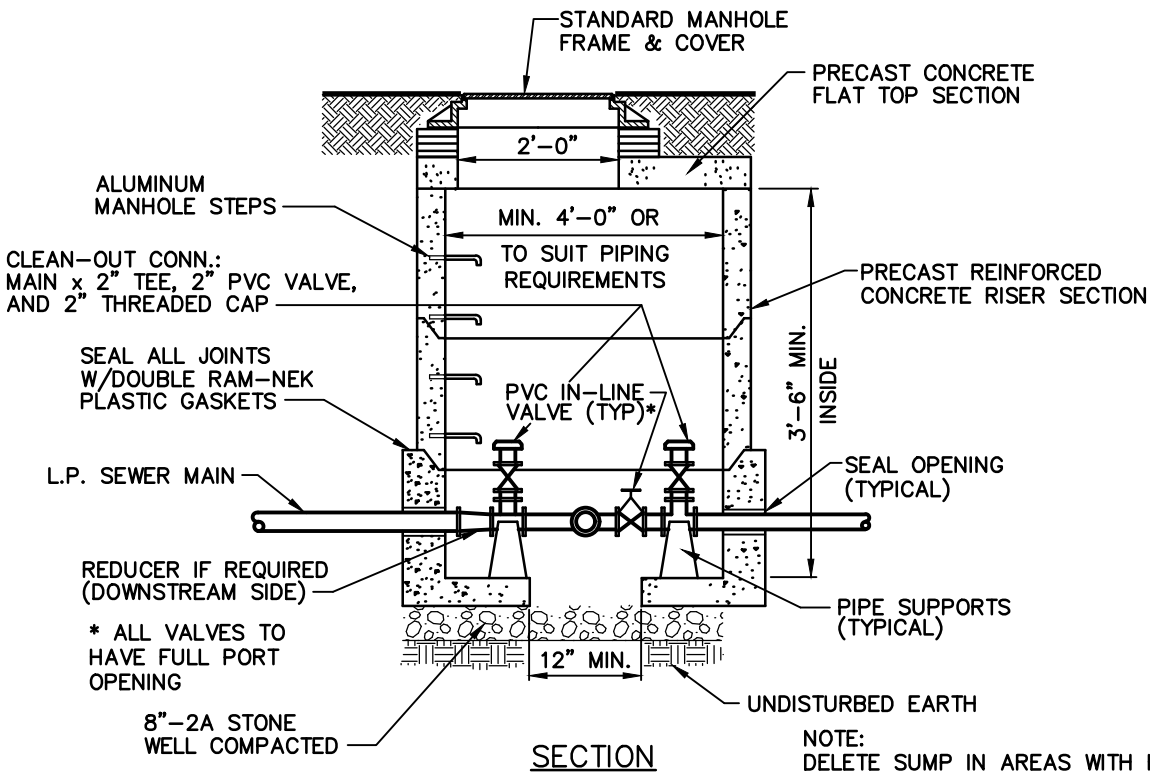
SCOTT TOWNSHIP LACKAWANNA COUNTY PENNSYLVANIA



HERBERT, ROWLAND & GRUBIC, INC.
P.O. BOX 504
CLARKS SUMMIT, PA 18411
570.851.2804 | hrg-inc.com



PLAN VIEW



SECTION

NOTE:
DELETE SUMP IN AREAS WITH HIGH WATER TABLE AND INSTALL 4" PVC DRAIN PIPE TO DAYLIGHT

JUNCTION-VALVE AND CLEANOUT MANHOLE

NOT TO SCALE

©HRG

PROJECT #:	10194.0427
DATE:	JULY 2024
SCALE:	NTS
PM:	MWS

**SCOTT TOWNSHIP SEWER & WATER AUTHORITY
SEWER SYSTEM DETAILS**

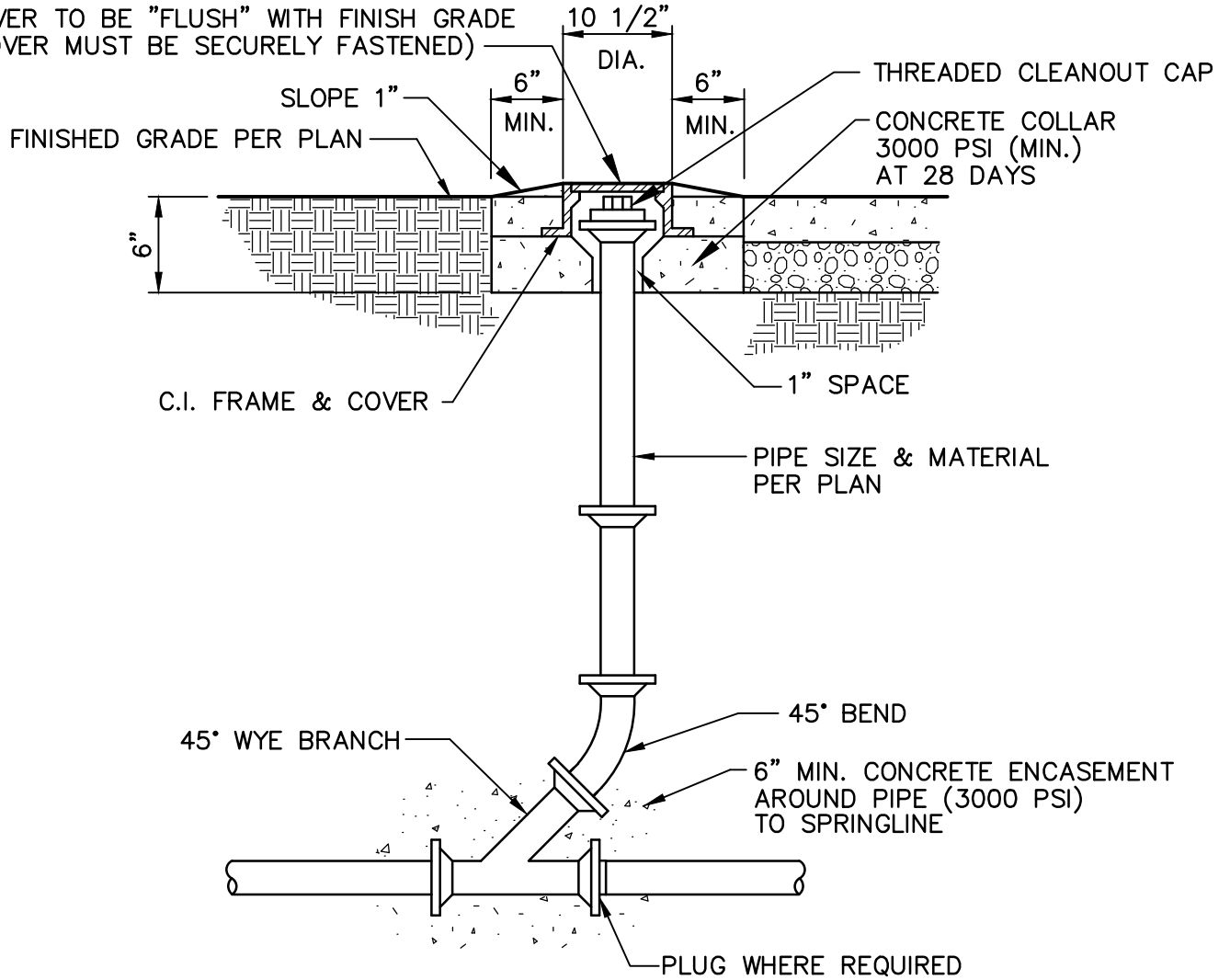


HERBERT, ROWLAND & GRUBIC, INC.
P.O. BOX 504
CLARKS SUMMIT, PA 18411
570.851.2804 | hrg-inc.com

SHEET:	1
D02-24	

SCOTT TOWNSHIP LACKAWANNA COUNTY PENNSYLVANIA

COVER TO BE "FLUSH" WITH FINISH GRADE
(COVER MUST BE SECURELY FASTENED)



CLEANOUT DETAIL

NOT TO SCALE ©HRG

PROJECT #:	10194.0427
DATE:	JULY 2024
SCALE:	NTS
PM:	MWS

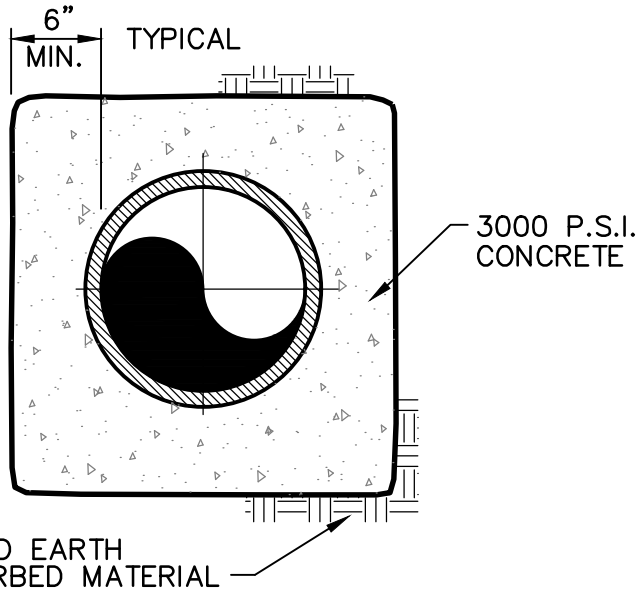
SHEET:	1
D02-24	

SCOTT TOWNSHIP SEWER & WATER AUTHORITY
SEWER SYSTEM DETAILS

SCOTT TOWNSHIP LACKAWANNA COUNTY PENNSYLVANIA



HERBERT, ROWLAND & GRUBIC, INC.
P.O. BOX 504
CLARKS SUMMIT, PA 18411
570.851.2804 | hrg-inc.com



WELL TAMPED EARTH
OR UNDISTURBED MATERIAL

SECTION
CONCRETE ENCASEMENT DETAIL
NOT TO SCALE ©HRG

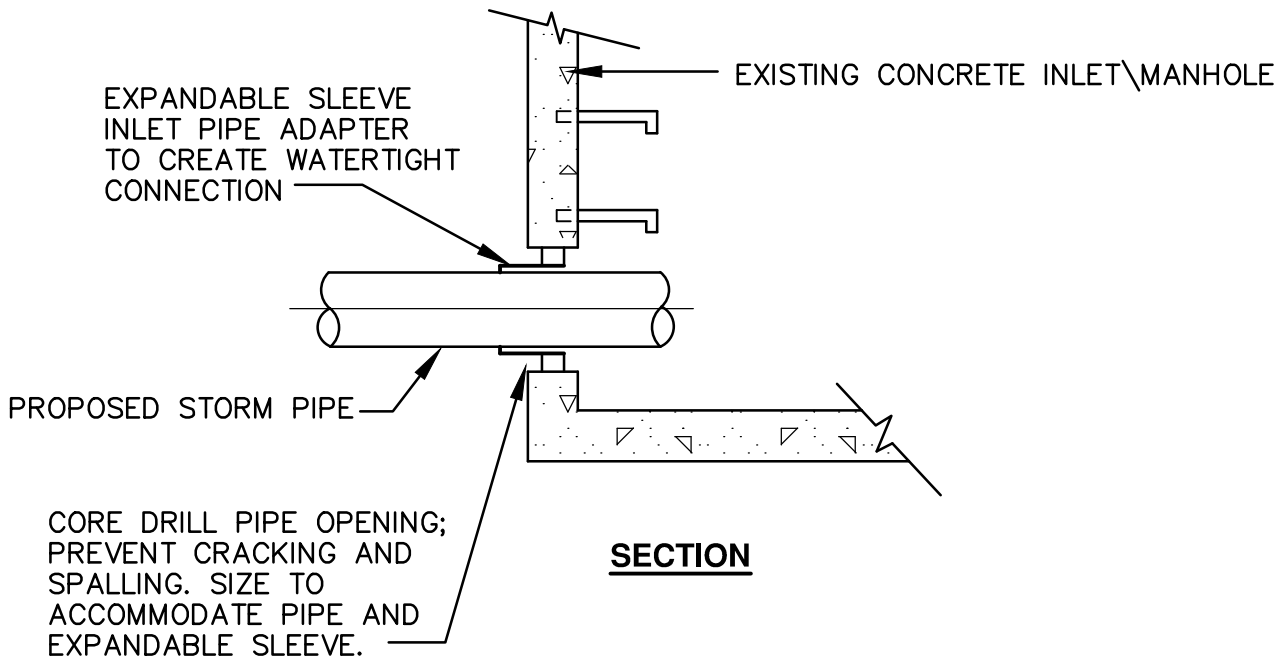
PROJECT #:	10194.0427
DATE:	JULY 2024
SCALE:	NTS
PM:	MWS
SHEET:	
D02-24	1

SCOTT TOWNSHIP SEWER & WATER AUTHORITY
SEWER SYSTEM DETAILS

SCOTT TOWNSHIP LACKAWANNA COUNTY PENNSYLVANIA



HERBERT, ROWLAND & GRUBIC, INC.
P.O. BOX 504
CLARKS SUMMIT, PA 18411
570.851.2804 | hrg-inc.com



NOTES:

1. AFTER CONNECTION OF PIPE TO INLET\MANHOLE, REMOVE CONCRETE CHANNEL AS REQUIRED AND RECONSTRUCT CHANNEL TO CONDUIT ALL FLOWS THROUGH EXISTING INLET.
2. KEEP GROUNDWATER, SURFACE WATER AND DEBRIS FROM ENTERING EXISTING FACILITIES.
3. MAINTAIN EXISTING FLOW DURING CONSTRUCTION.

CONNECTION TO EXISTING INLET\MANHOLE DETAIL

NOT TO SCALE

PROJECT #:	10194.0427
DATE:	JULY 2024
SCALE:	NTS
PM:	MWS

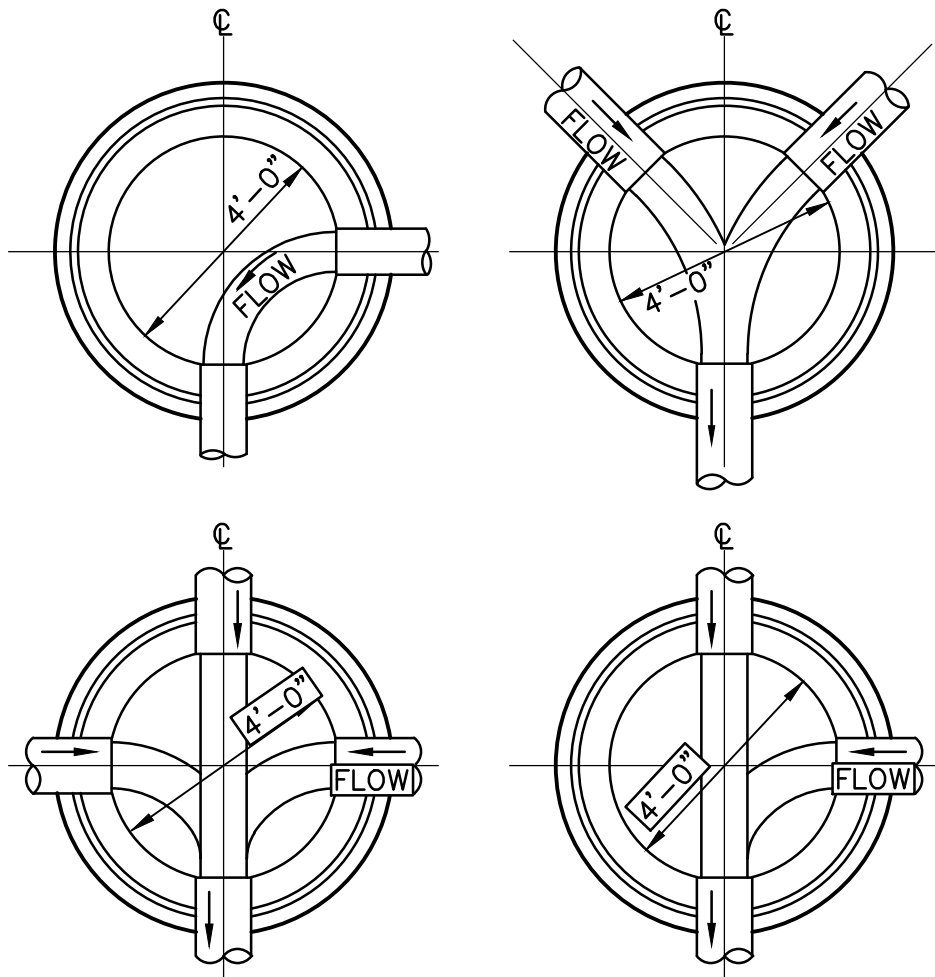
SHEET:	1
D02-24	

**SCOTT TOWNSHIP SEWER & WATER AUTHORITY
SEWER SYSTEM DETAILS**

SCOTT TOWNSHIP LACKAWANNA COUNTY PENNSYLVANIA



HERBERT, ROWLAND & GRUBIC, INC.
P.O. BOX 504
CLARKS SUMMIT, PA 18411
570.851.2804 | hrg-inc.com



NOTE:

1. ALL BENCHES SHALL SLOPE A MINIMUM OF 2" PER FOOT TOWARD FLOW CHANNEL

PLANS OF MANHOLE INVERTS

NOT TO SCALE

©HRG

PROJECT #:	10194.0427
DATE:	JULY 2024
SCALE:	NTS
PM:	MWS

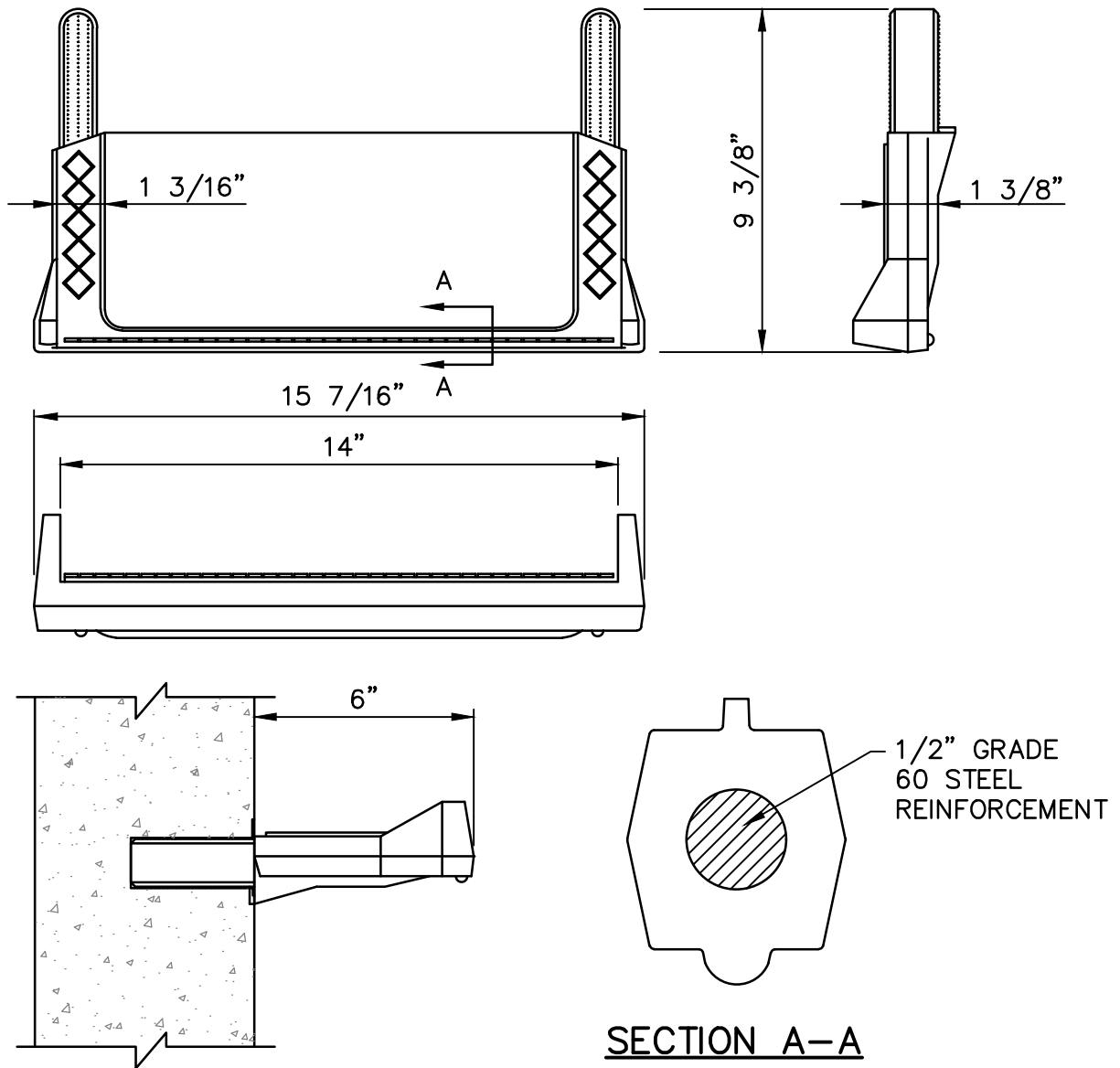
SHEET:	1
D02-24	

**SCOTT TOWNSHIP SEWER & WATER AUTHORITY
SEWER SYSTEM DETAILS**

SCOTT TOWNSHIP LACKAWANNA COUNTY PENNSYLVANIA



HERBERT, ROWLAND & GRUBIC, INC.
P.O. BOX 504
CLARKS SUMMIT, PA 18411
570.851.2804 | hrg-inc.com



NOTES:

1. MANHOLE STEPS SHOULD BE AS MANUFACTURED BY M.A. INDUSTRIES, INC., PEACHTREE CITY, GA OR APPROVED EQUAL.

**COPOLYMER POLYPROPYLENE PLASTIC
MANHOLE STEP**

NOT TO SCALE

©HRG

PROJECT #:	10194.0427
DATE:	JULY 2024
SCALE:	NTS
PM:	MWS
SHEET:	
D02-24	1

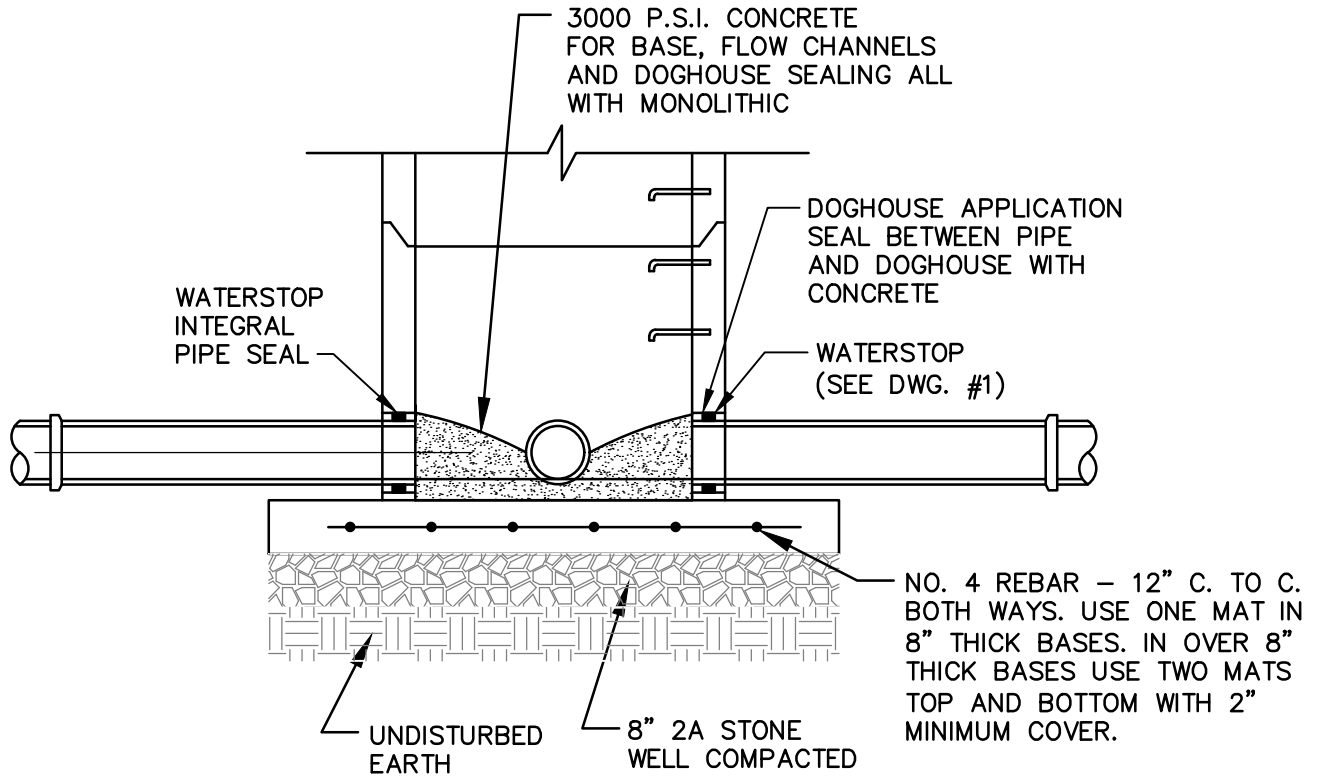
**SCOTT TOWNSHIP SEWER & WATER AUTHORITY
SEWER SYSTEM DETAILS**

SCOTT TOWNSHIP LACKAWANNA COUNTY PENNSYLVANIA



HERBERT, ROWLAND & GRUBIC, INC.
P.O. BOX 504
CLARKS SUMMIT, PA 18411
570.851.2804 | hrg-inc.com

NOTE:
 USE DOGHOUSE APPLICATION WHEN TYING INTO EXISTING MANHOLE, EXCEPT SEAL BETWEEN SEWER WALL AND PIPE WITH WATERPROOF MORTAR WORKED WELL AROUND WATERSTOP. REFER TO SECTION 02605.



*BASE THICKNESS
2" - 15" PIPE = 8"
18" - 27" PIPE = 12"
30" - UP PIPE = DESIGN

DOGHOUSE SEWER MANHOLE DETAIL

NOT TO SCALE

©HRG

PROJECT #: 10194.0427
 DATE: JULY 2024
 SCALE: NTS
 PM: MWS

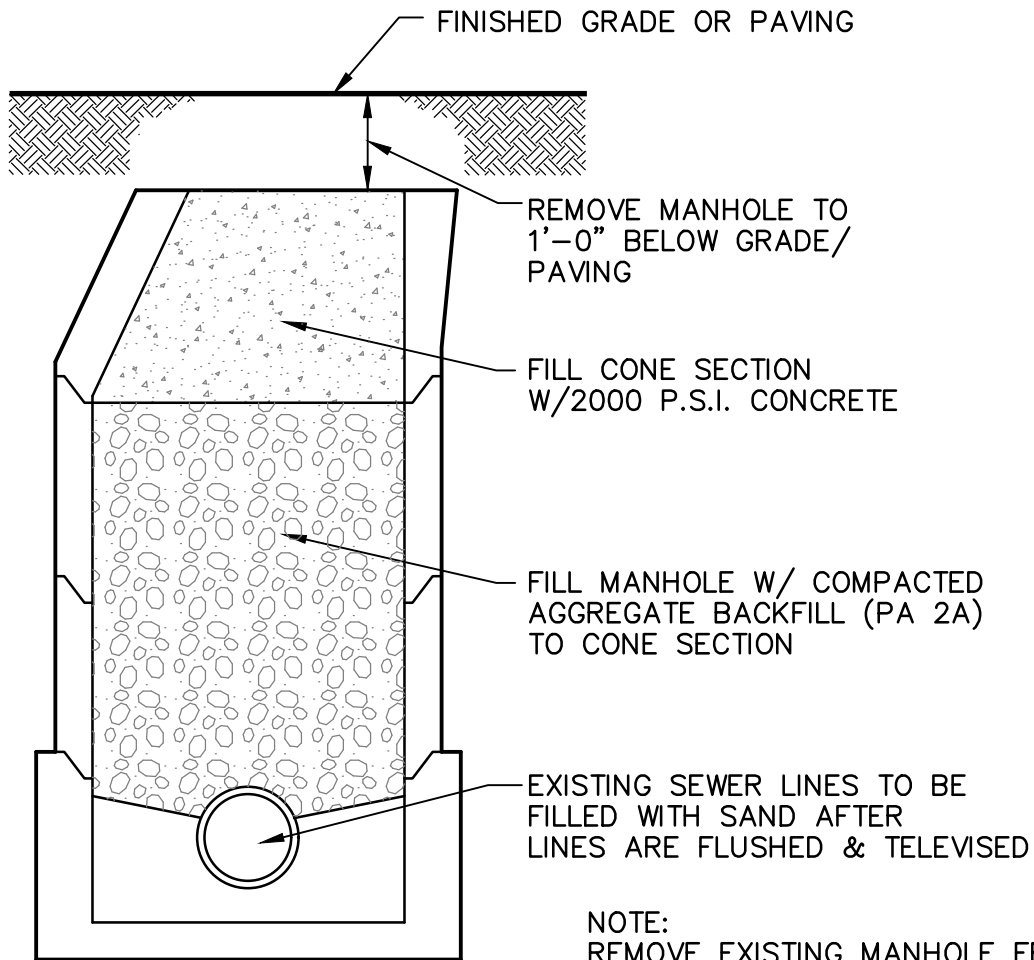
SHEET: D02-24 1

SCOTT TOWNSHIP SEWER & WATER AUTHORITY
 SEWER SYSTEM DETAILS

SCOTT TOWNSHIP LACKAWANNA COUNTY PENNSYLVANIA



HERBERT, ROWLAND & GRUBIC, INC.
 P.O. BOX 504
 CLARKS SUMMIT, PA 18411
 570.851.2804 | hrg-inc.com



NOTE:
 REMOVE EXISTING MANHOLE FRAME
 AND COVERS. CLEAN AND STORE AS
 DIRECTED BY OWNER.

MANHOLE ABANDONMENT DETAIL

NOT TO SCALE ©HRG

PROJECT #:	10194.0427
DATE:	JULY 2024
SCALE:	NTS
PM:	MWS
SHEET:	
D02-24	1

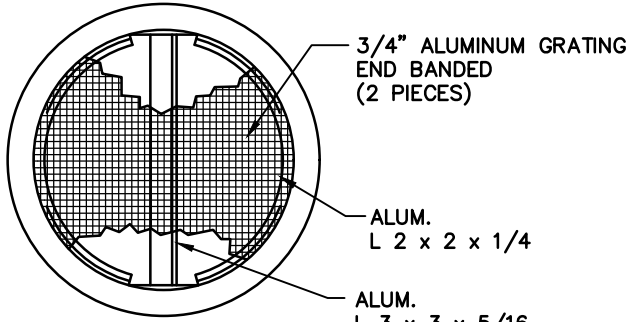
SCOTT TOWNSHIP SEWER & WATER AUTHORITY
SEWER SYSTEM DETAILS

SCOTT TOWNSHIP LACKAWANNA COUNTY PENNSYLVANIA



HERBERT, ROWLAND & GRUBIC, INC.
 P.O. BOX 504
 CLARKS SUMMIT, PA 18411
 570.851.2804 | hrg-inc.com

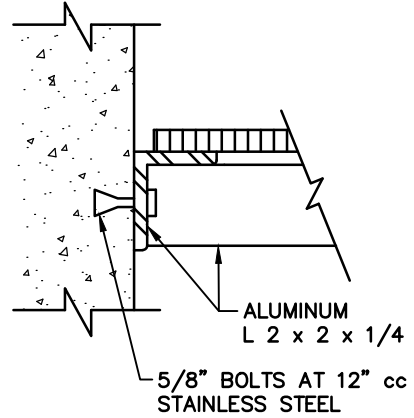
FILE PATH & NAME: F:\010\010194_0427\CSD\Sewer Authority Details\Manhole_Abandonment_Detail.dwg LAYOUT: LAYOUT 1 LAST PLOTTED: 7/30/2024 4:07 PM BY: GSTROUSE



SECTION "A"

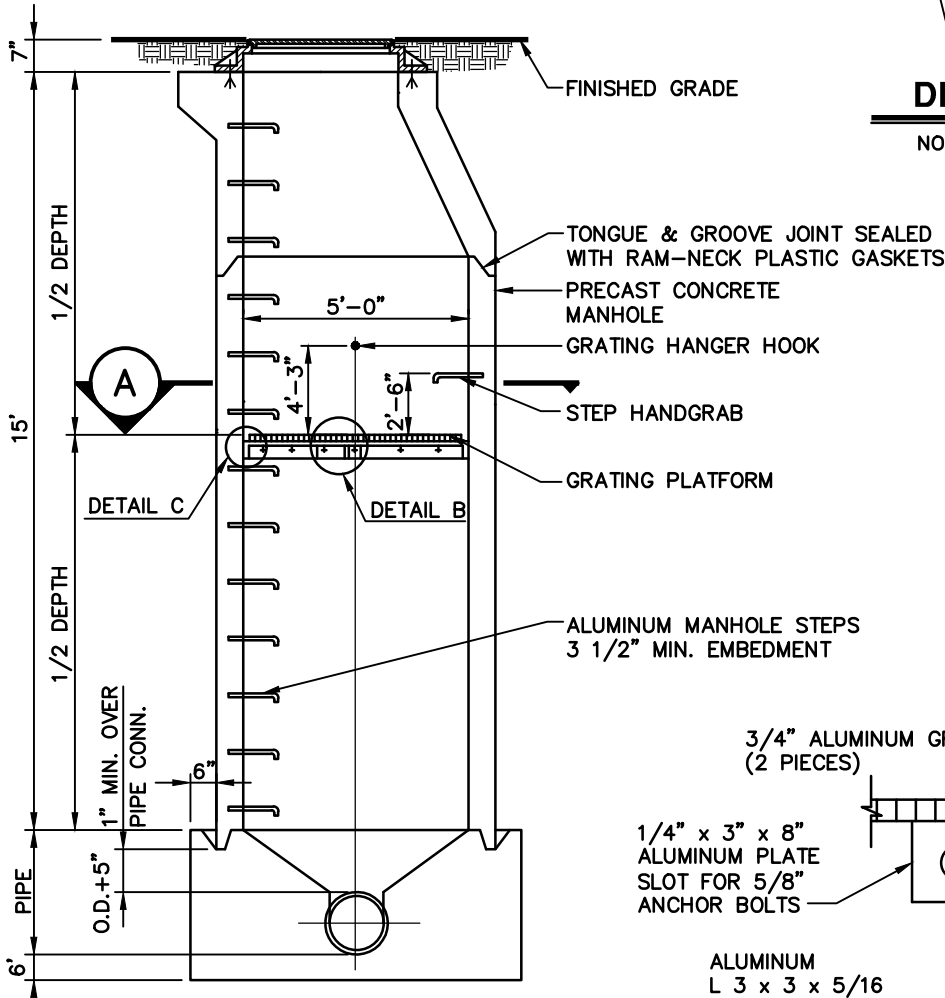
GRATING PLATFORM PLAN

SCALE: NOT TO SCALE



DETAIL C

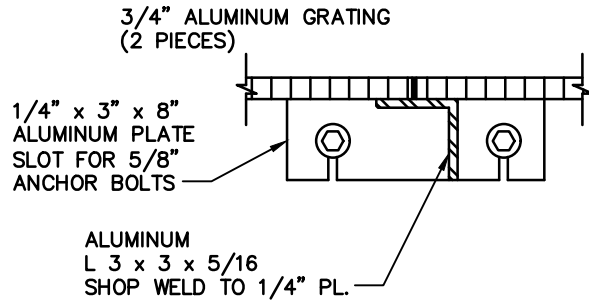
NOT TO SCALE



MANHOLE WITH PLATFORM

NOT TO SCALE

©HRG



DETAIL B

NOT TO SCALE

PROJECT #:	10194.0427
DATE:	JULY 2024
SCALE:	NTS
PM:	MWS

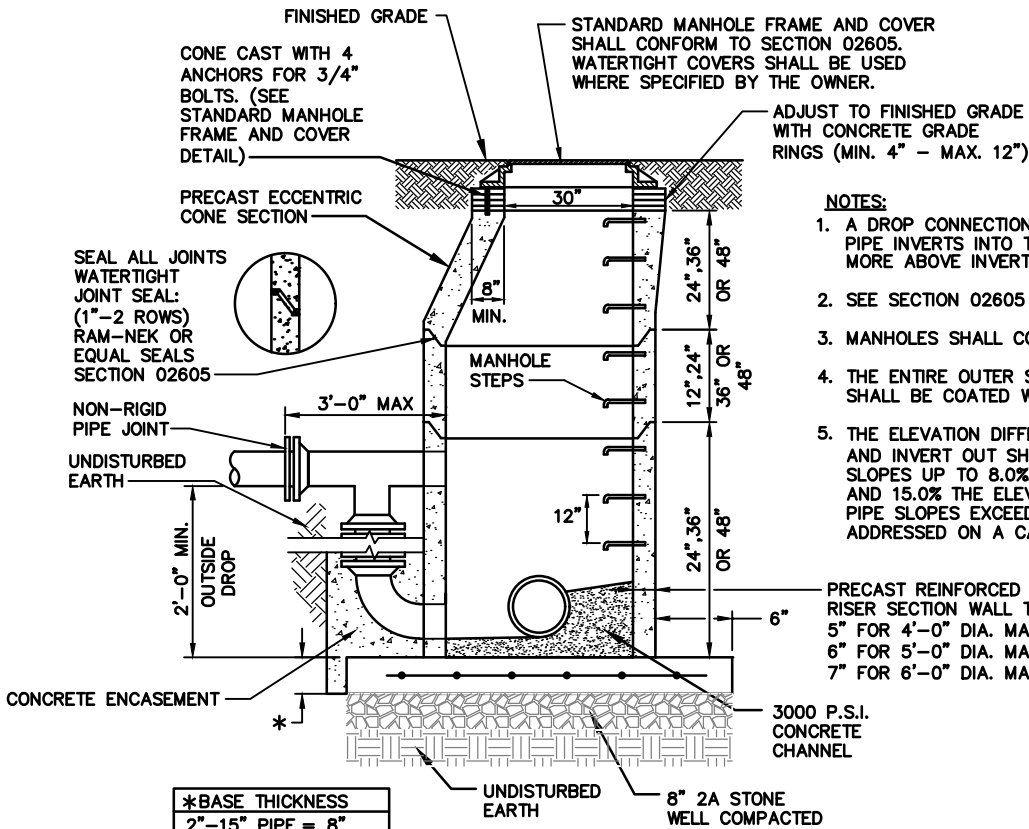
SHEET:	1
D02-24	

**SCOTT TOWNSHIP SEWER & WATER AUTHORITY
SEWER SYSTEM DETAILS**

SCOTT TOWNSHIP LACKAWANNA COUNTY PENNSYLVANIA



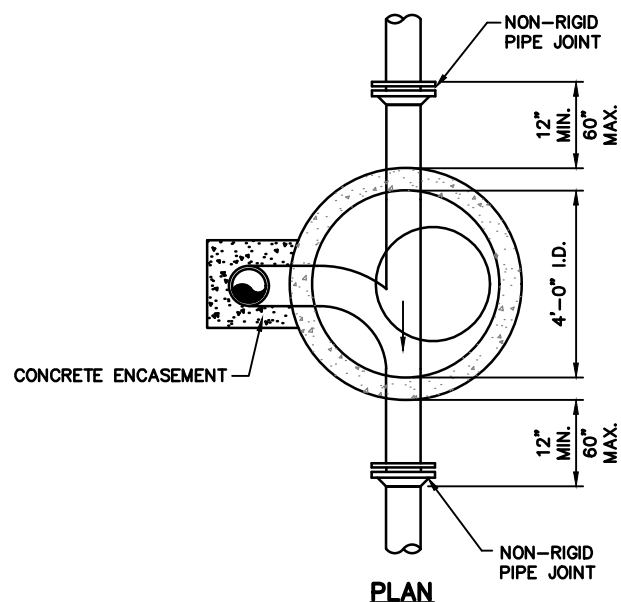
HERBERT, ROWLAND & GRUBIC, INC.
P.O. BOX 504
CLARKS SUMMIT, PA 18411
570.851.2804 | hrg-inc.com



- NOTES:**
1. A DROP CONNECTION SHALL BE INSTALLED WHEN THE PIPE INVERTS INTO THE MANHOLE ARE 2.0 FEET OR MORE ABOVE INVERT OUT OF THE MANHOLE.
 2. SEE SECTION 02605 OF THE SPECIFICATIONS.
 3. MANHOLES SHALL CONFORM TO ASTM C-478.
 4. THE ENTIRE OUTER SURFACE OF THE MANHOLE SHALL BE COATED WITH 2 COATS BITUMASTIC.
 5. THE ELEVATION DIFFERENCE BETWEEN THE INVERT IN AND INVERT OUT SHALL BE 0.1' STANDARD FOR PIPE SLOPES UP TO 8.0%. FOR PIPE SLOPES BETWEEN 8.0% AND 15.0% THE ELEVATION DROP SHALL BE 0.3'. FOR PIPE SLOPES EXCEEDING 15.0% THE DROP WILL BE ADDRESSED ON A CASE BY CASE BASIS.

*BASE THICKNESS	
2"-15" PIPE	= 8"
18"-27" PIPE	= 12"
30"-UP PIPE	= DESIGN

SECTION



PLAN

SANITARY SEWER DROP MANHOLE DETAIL
NOT TO SCALE ©HRG

PROJECT #:	10194.0427
DATE:	JULY 2024
SCALE:	NTS
PM:	MWS
SHEET:	D02-24
	1

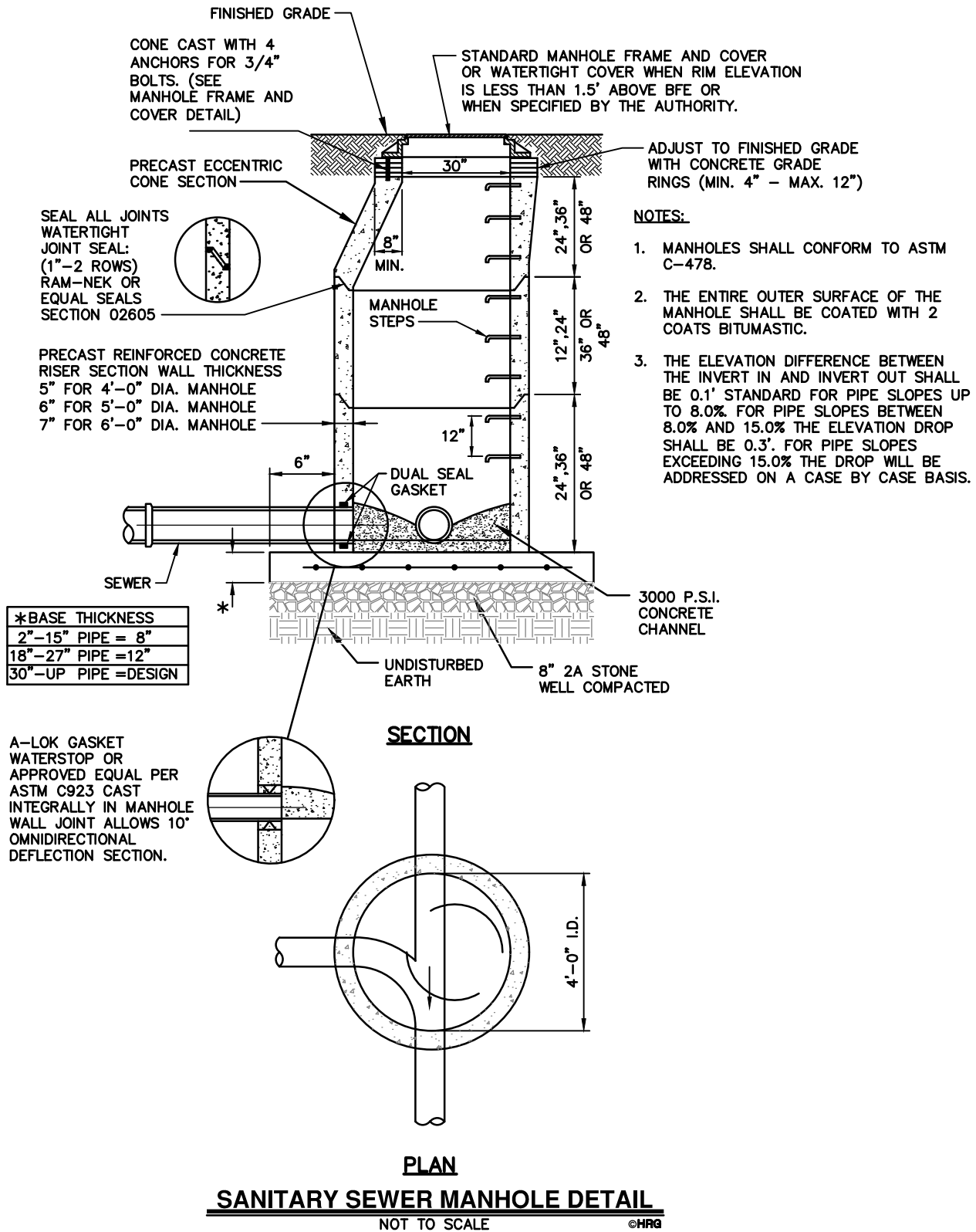
**SCOTT TOWNSHIP SEWER & WATER AUTHORITY
SEWER SYSTEM DETAILS**

SCOTT TOWNSHIP LACKAWANNA COUNTY PENNSYLVANIA



HERBERT, ROWLAND & GRUBIC, INC.
P.O. BOX 504
CLARKS SUMMIT, PA 18411
570.851.2804 | hrg-inc.com

FILE PATH & NAME: P:\010\010194_0427\CSD\Sewer Authority Details\Sanitary_Sewer_Drop_Manhole.dwg LAYOUT:LAYOUT 1 LAST PLOTTED: 7/30/2024 3:52 PM BY: BURKHART



PROJECT #:	10194.0427
DATE:	JULY 2024
SCALE:	NTS
PM:	MWS
SHEET:	
D02-24	1

**SCOTT TOWNSHIP SEWER & WATER AUTHORITY
SEWER SYSTEM DETAILS**

SCOTT TOWNSHIP LACKAWANNA COUNTY PENNSYLVANIA

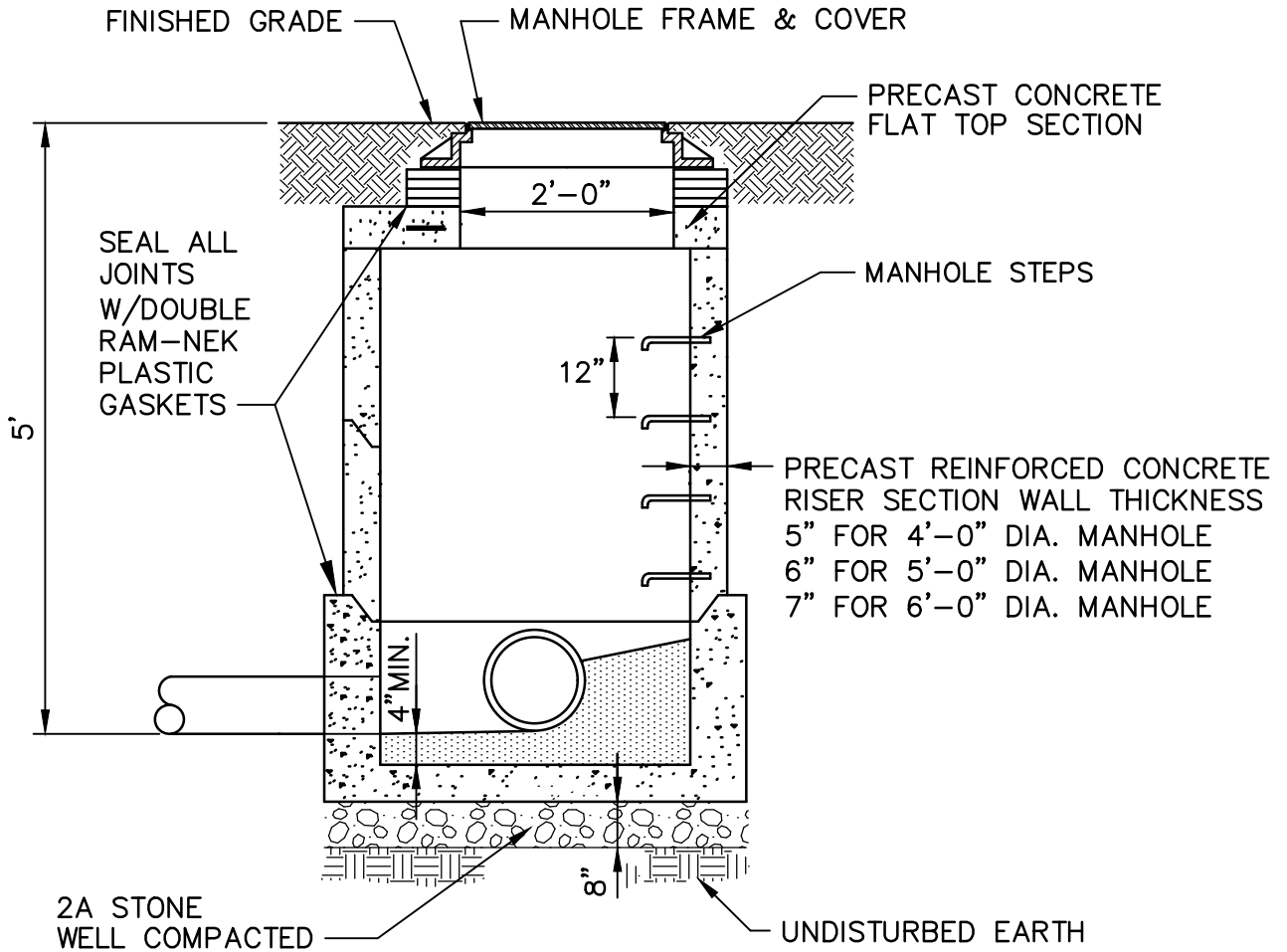


HERBERT, ROWLAND & GRUBIC, INC.
P.O. BOX 504
CLARKS SUMMIT, PA 18411
570.851.2804 | hrg-inc.com

FILE PATH & NAME: P:\010\010194_0427\C3D\Sewer Authority Details\Sanitary_Sewer_Manhole_Detail.dwg LAYOUT:LAYOUT 1 LAST PLOTTED: 7/30/2024 3:51 PM BY: BURKHART

NOTES:

1. SEE SECTION 02605 OF THE SPECIFICATIONS.
2. MANHOLES SHALL CONFORM TO ASTM C-478.
3. THE ENTIRE OUTER SURFACE OF THE MANHOLE SHALL BE COATED WITH 2 COATS BITUMASTIC.
4. THE ELEVATION DIFFERENCE BETWEEN THE INVERT IN AND INVERT OUT SHALL BE 0.1' STD FOR PIPE SLOPES UP TO 8.0%. FOR PIPE SLOPES BETWEEN 8.0% AND 15.0%, THE ELEVATION DROP SHALL BE 0.3% FOR PIPE SLOPES EXCEEDING 15.0% THE DROP WILL BE ADDRESSED ON A CASE BY CASE BASIS.



SHALLOW SANITARY MANHOLE DETAIL

NOT TO SCALE

©HRG

PROJECT #:	10194.0427
DATE:	JULY 2024
SCALE:	NTS
PM:	MWS

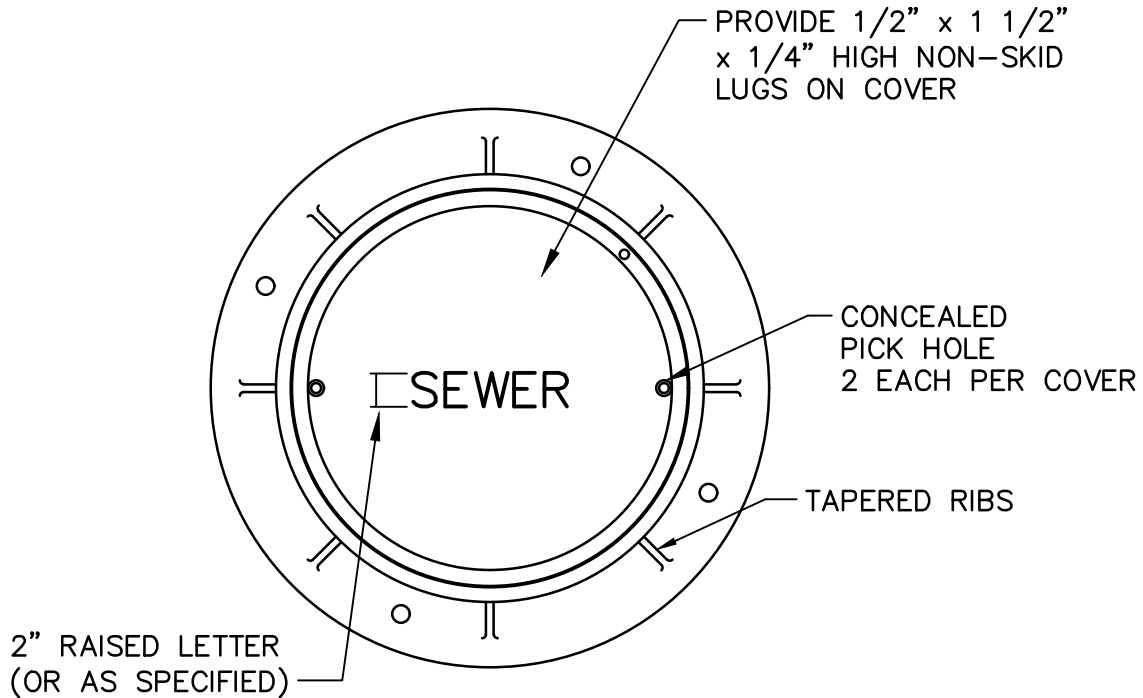
SCOTT TOWNSHIP SEWER & WATER AUTHORITY
SEWER SYSTEM DETAILS



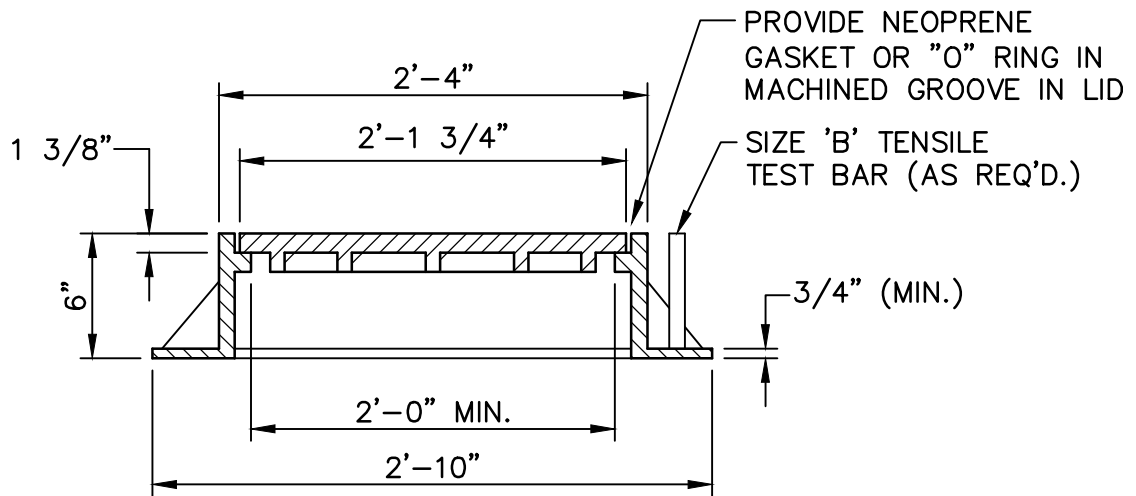
HERBERT, ROWLAND & GRUBIC, INC.
P.O. BOX 504
CLARKS SUMMIT, PA 18411
570.851.2804 | hrg-inc.com

SHEET:	1
D02-24	

SCOTT TOWNSHIP LACKAWANNA COUNTY PENNSYLVANIA



PLAN



SECTION

STANDARD MANHOLE FRAME AND COVER

NOT TO SCALE

©HRG

PROJECT #:	10194.0427
DATE:	JULY 2024
SCALE:	NTS
PM:	MWS

**SCOTT TOWNSHIP SEWER & WATER AUTHORITY
SEWER SYSTEM DETAILS**

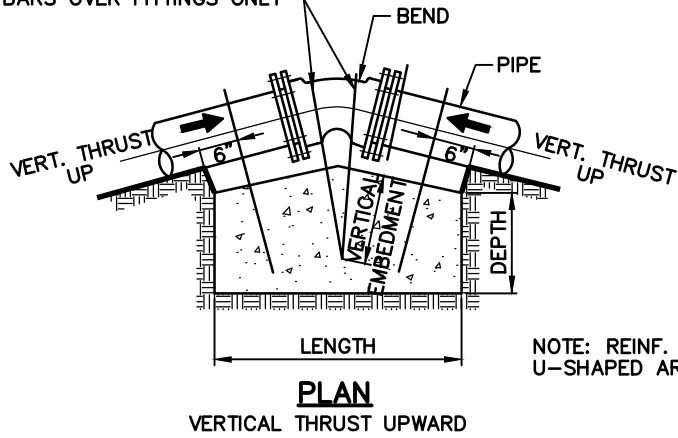


HERBERT, ROWLAND & GRUBIC, INC.
P.O. BOX 504
CLARKS SUMMIT, PA 18411
570.851.2804 | hrg-inc.com

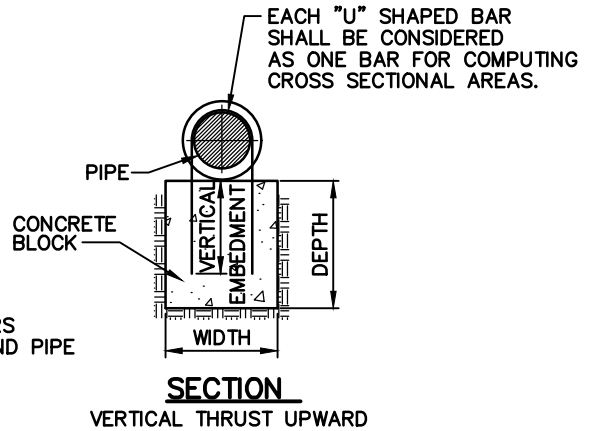
SHEET:	1
D02-24	

SCOTT TOWNSHIP LACKAWANNA COUNTY PENNSYLVANIA

FOR 6" PIPES & LESS, USE BARS OVER FITTINGS ONLY



PLAN
VERTICAL THRUST UPWARD



SECTION
VERTICAL THRUST UPWARD

NOTE: REINF. BARS U-SHAPED AROUND PIPE

THRUST BLOCKING

NOT TO SCALE ©HRG

PROJECT #:	10194.0427
DATE:	JULY 2024
SCALE:	NTS
PM:	MWS

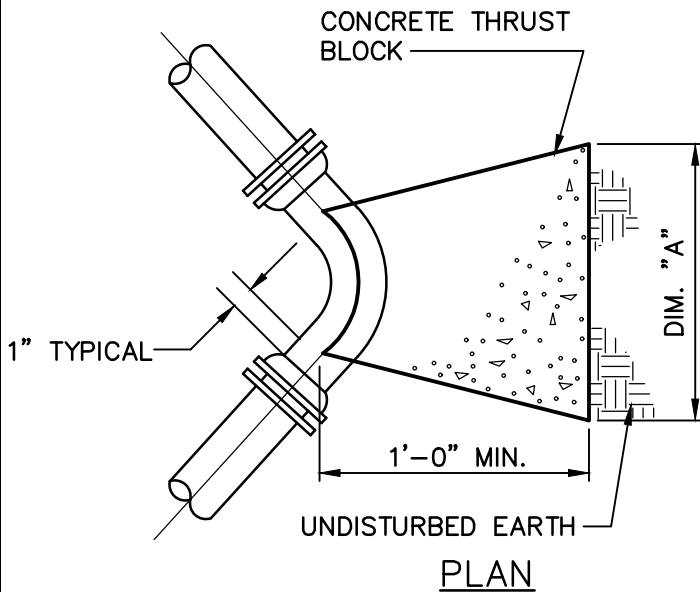
SHEET:	1
D02-24	

**SCOTT TOWNSHIP SEWER & WATER AUTHORITY
SEWER SYSTEM DETAILS**

SCOTT TOWNSHIP LACKAWANNA COUNTY PENNSYLVANIA

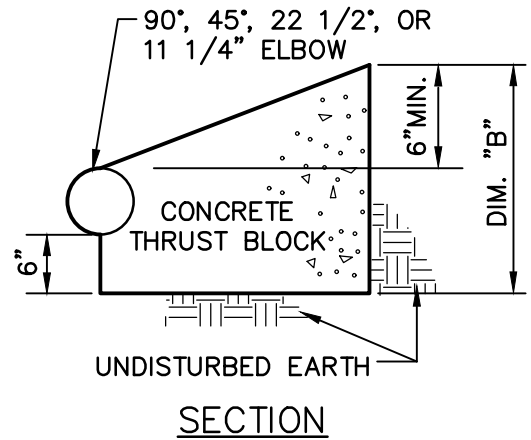


HERBERT, ROWLAND & GRUBIC, INC.
P.O. BOX 504
CLARKS SUMMIT, PA 18411
570.851.2804 | hrg-inc.com



ELBOW DIMENSION SCHEDULE											
DIM.	3"-90°	2 1/2"-90°	2"-90°	1 1/2"-90°	3"-45°	2 1/2"-45°	2"-45°	1 1/2"-45°	3"-22 1/2°	2 1/2"-22 1/2°	3"-11 1/4°
A	20	18	16	14	18	16	14	12	16	14	12
B	15	15	14	14	15	15	14	14	15	15	14

A & B DIMENSIONS ARE IN INCHES



HORIZONTAL THRUST BLOCK DETAILS (LOW PRESSURE SEWERS)

NOT TO SCALE

©HRG

PROJECT #:	10194.0427
DATE:	JULY 2024
SCALE:	NTS
PM:	MWS

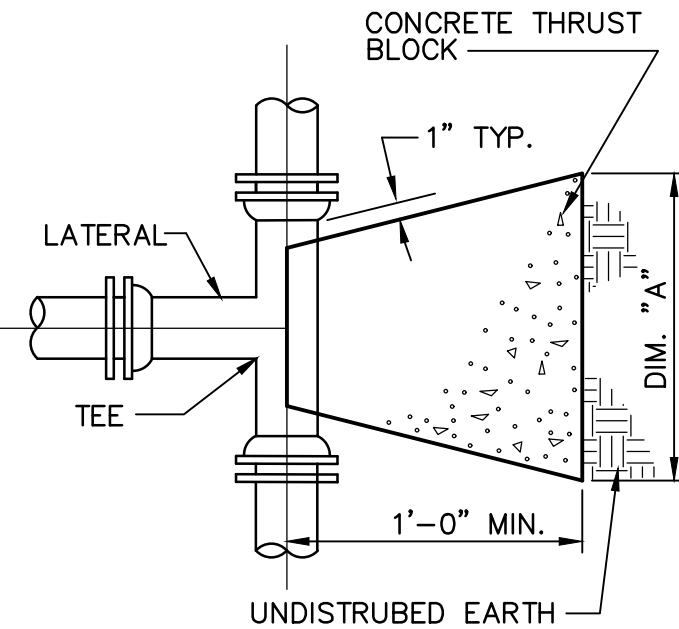
**SCOTT TOWNSHIP SEWER & WATER AUTHORITY
SEWER SYSTEM DETAILS**



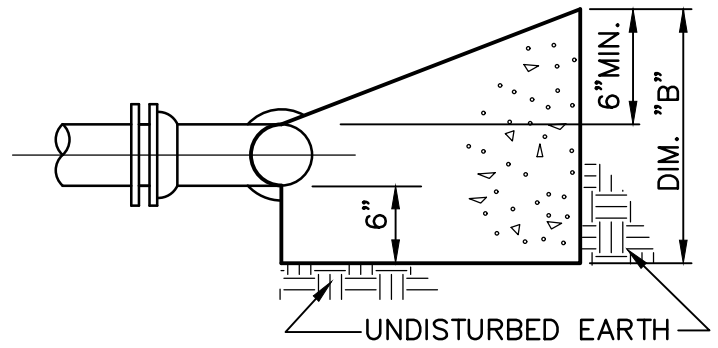
HERBERT, ROWLAND & GRUBIC, INC.
P.O. BOX 504
CLARKS SUMMIT, PA 18411
570.851.2804 | hrg-inc.com

SHEET:	1
D02-24	

SCOTT TOWNSHIP LACKAWANNA COUNTY PENNSYLVANIA



PLAN



SECTION

TEE DIMENSION SCHEDULE LATERAL SIZE				
DIM.	1 1/2"	2"	2 1/2"	3"
A	14"	16"	18"	20"
B	14"	14"	15"	15"

HORIZONTAL THRUST BLOCK DETAILS (LOW PRESSURE SEWERS)

NOT TO SCALE

©HRG

PROJECT #:	10194.0427
DATE:	JULY 2024
SCALE:	NTS
PM:	MWS

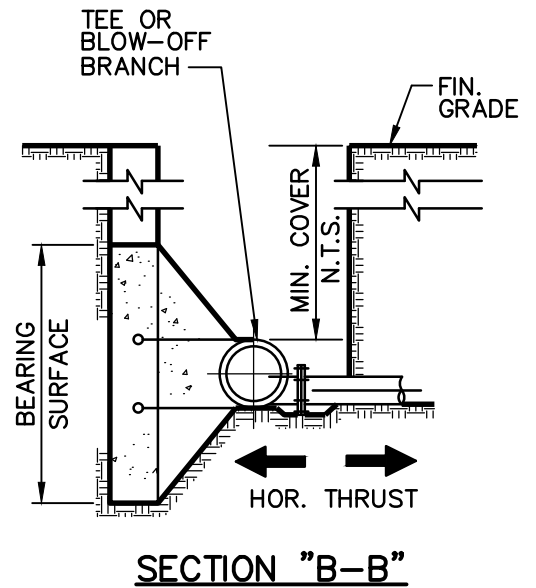
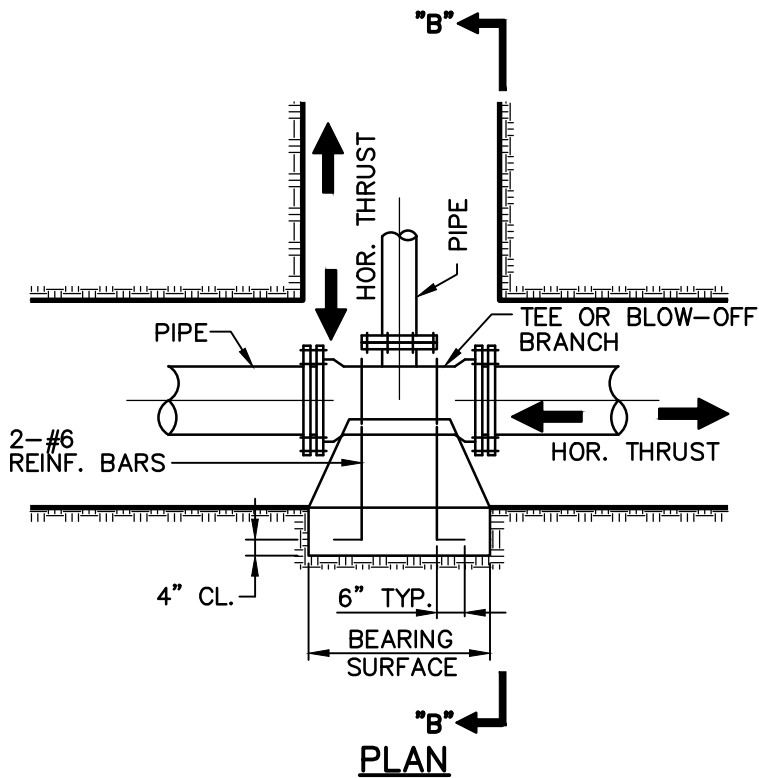
SCOTT TOWNSHIP SEWER & WATER AUTHORITY
SEWER SYSTEM DETAILS



HERBERT, ROWLAND & GRUBIC, INC.
P.O. BOX 504
CLARKS SUMMIT, PA 18411
570.851.2804 | hrg-inc.com

SHEET:	1
D02-24	

SCOTT TOWNSHIP LACKAWANNA COUNTY PENNSYLVANIA



THRUST BLOCKING

NOT TO SCALE ©HRG

PROJECT #:	10194.0427
DATE:	JULY 2024
SCALE:	NTS
PM:	MWS

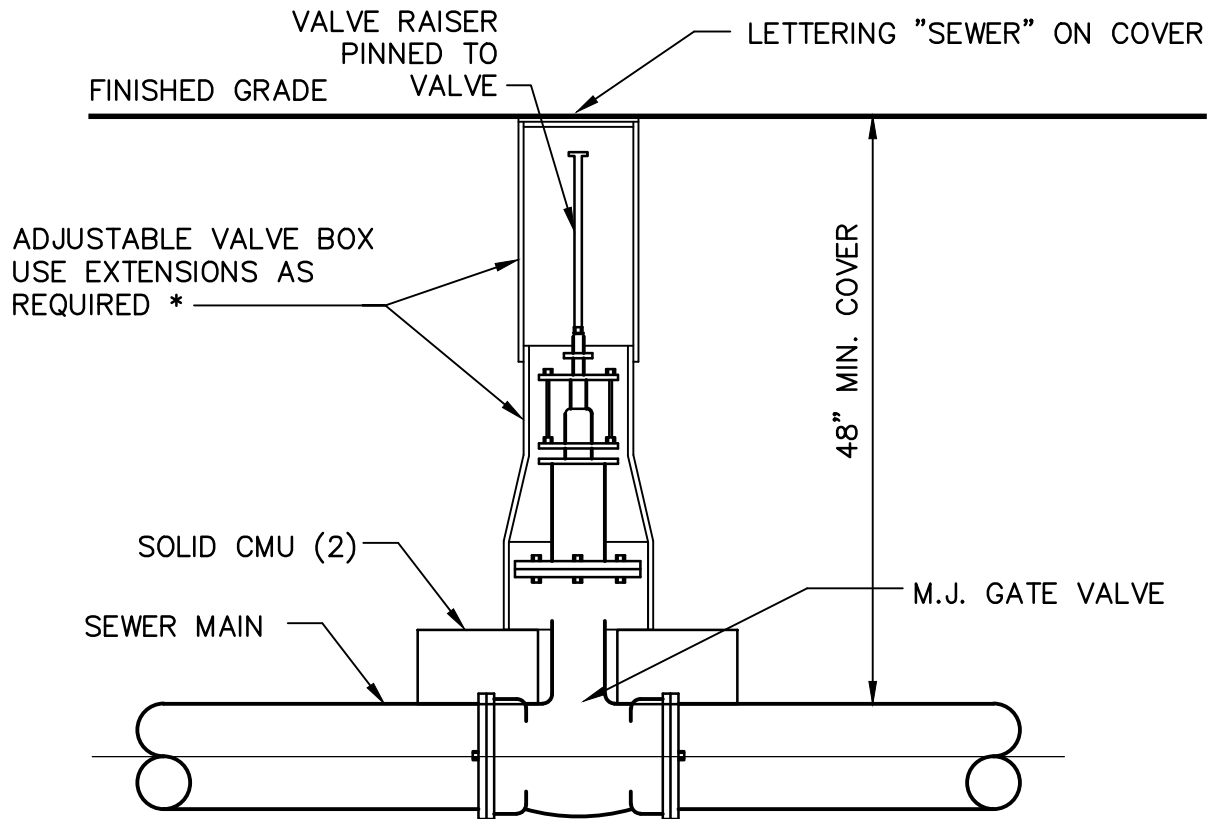
SCOTT TOWNSHIP SEWER & WATER AUTHORITY SEWER SYSTEM DETAILS



HERBERT, ROWLAND & GRUBIC, INC.
P.O. BOX 504
CLARKS SUMMIT, PA 18411
570.851.2804 | hrg-inc.com

SHEET:	1
D02-24	

SCOTT TOWNSHIP LACKAWANNA COUNTY PENNSYLVANIA



* NOTE: IF EXTENSIONS ARE NECESSARY CONTRACTOR SHALL SET "PLUMB" AND ALIGN PROPERLY FOR ACCESS TO OPERATING NUT.

TYPICAL GATE VALVE AND VALVE BOX DETAIL

NOT TO SCALE

©HRG

PROJECT #: 10194.0427
 DATE: JULY 2024
 SCALE: NTS
 PM: MWS

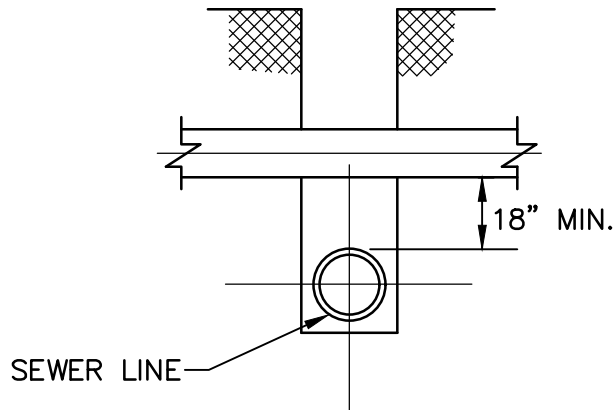
SHEET: D02-24 1

SCOTT TOWNSHIP SEWER & WATER AUTHORITY
 SEWER SYSTEM DETAILS

SCOTT TOWNSHIP LACKAWANNA COUNTY PENNSYLVANIA



HERBERT, ROWLAND & GRUBIC, INC.
 P.O. BOX 504
 CLARKS SUMMIT, PA 18411
 570.851.2804 | hrg-inc.com



SECTION

NOTES:

1. IF JOINT ON WATER MAIN IS WITHIN LIMITS OF SEWER TRENCH. INSTALL MECHANICAL BELL JOINT CLAMP.
2. IF CLEARANCE IS LESS THAN 18" CONCRETE ENCASE SEWER PIPE 10 FT. EACH SIDE OF WATER MAIN. TO BE PAID AT UNIT PRICE BID PER CUBIC YARD OF CONCRETE.
3. IN NO CASE SHALL THE SEWER PIPE CONTACT ANY WATER MAIN, SERVICE LINE OR APPURTENANCE.

VERTICAL WATER MAIN CLEARANCE

NOT TO SCALE

©HRG

PROJECT #:	10194.0427
DATE:	JULY 2024
SCALE:	NTS
PM:	MWS

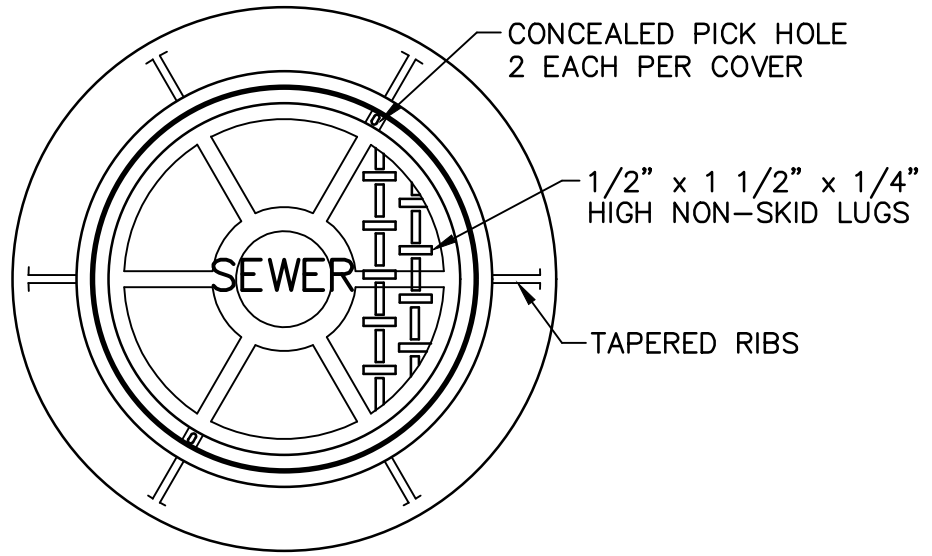
**SCOTT TOWNSHIP SEWER & WATER AUTHORITY
SEWER SYSTEM DETAILS**



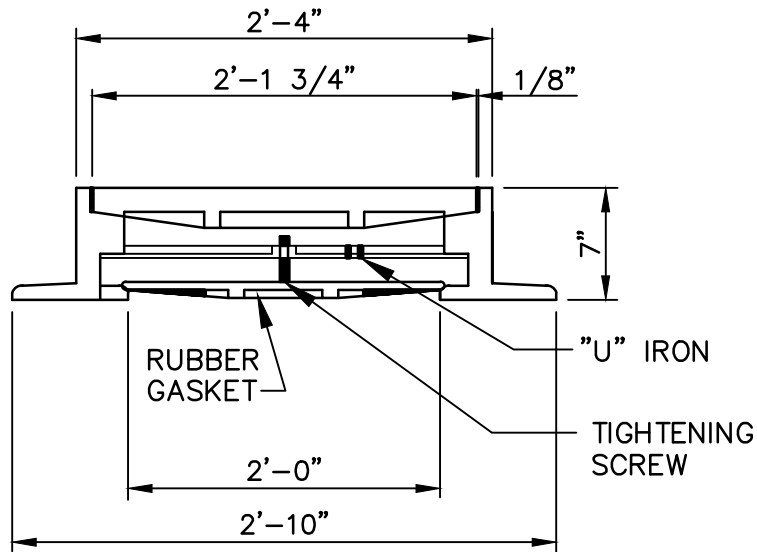
HERBERT, ROWLAND & GRUBIC, INC.
P.O. BOX 504
CLARKS SUMMIT, PA 18411
570.851.2804 | hrg-inc.com

SHEET:	1
D02-24	

SCOTT TOWNSHIP LACKAWANNA COUNTY PENNSYLVANIA



PLAN



SECTION C

WATERTIGHT MANHOLE

NOT TO SCALE ©HRG

PROJECT #:	10194.0427
DATE:	JULY 2024
SCALE:	NTS
PM:	MWS

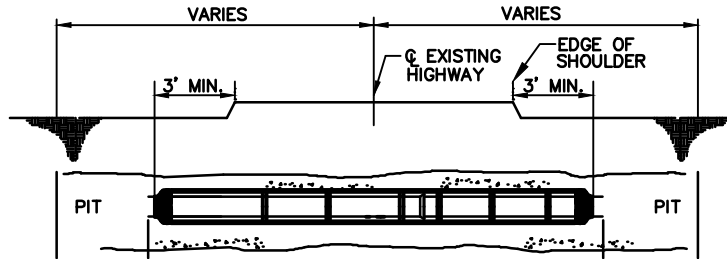
SHEET:	1
D02-24	

**SCOTT TOWNSHIP SEWER & WATER AUTHORITY
SEWER SYSTEM DETAILS**

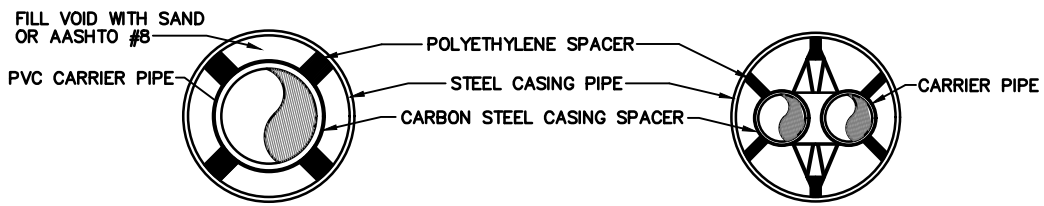
SCOTT TOWNSHIP LACKAWANNA COUNTY PENNSYLVANIA



HERBERT, ROWLAND & GRUBIC, INC.
P.O. BOX 504
CLARKS SUMMIT, PA 18411
570.851.2804 | hrg-inc.com

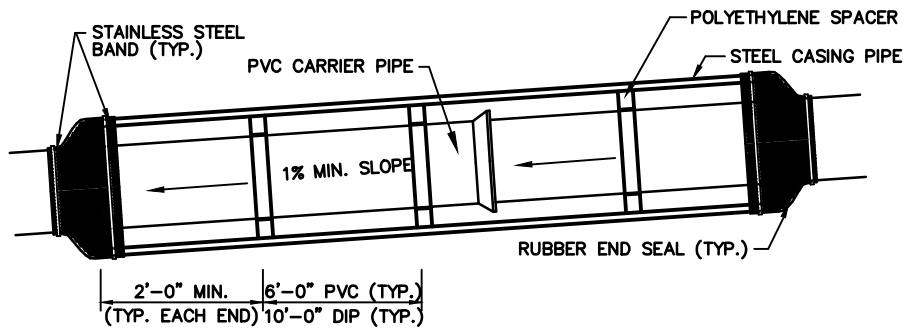


END PROFILE



MAIN LINE SECTION

DUAL LATERAL SECTION



SECTION

- NOTE:
 1. SEE HIGHWAY CROSSINGS FOR SPECIFIC LENGTHS AND LOCATIONS
 2. ALL BORE PITS 3' MINIMUM OFF EDGE OF SHOULDER

SINGLE LATERAL ONLY		DUAL LATERAL ONLY	
CARRIER PIPE	CASING PIPE	CARRIER PIPE	CASING PIPE
1 1/4"	6"	1 1/4"	6"
2"	6"	2"	8"
4"	10"	4"	16"
6"	12"	6"	24"
8"	16"	8"	32"

LOW PRESSURE/GRAVITY SEWER HIGHWAY CROSSING DETAIL

NOT TO SCALE

©HRG

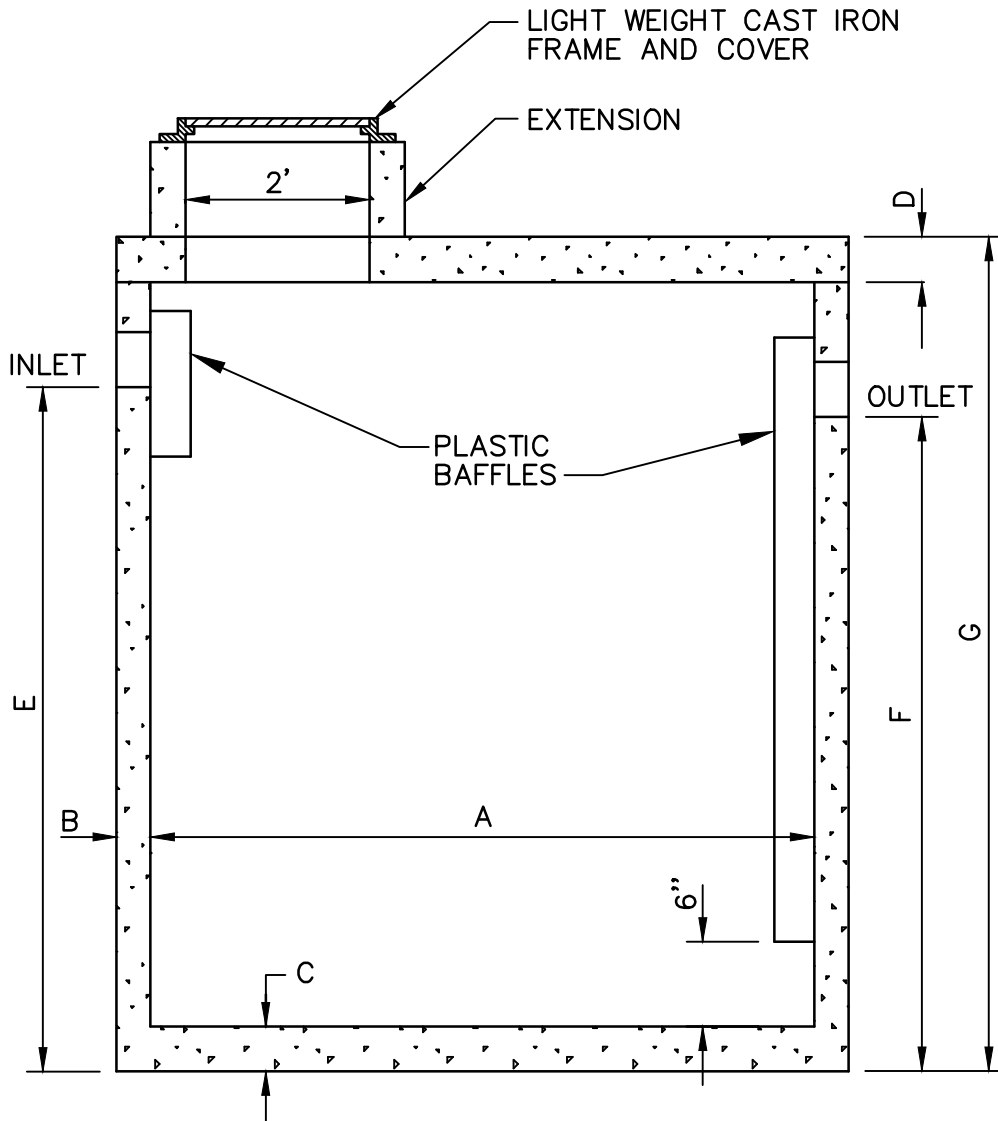
PROJECT #:	10194.0427
DATE:	JULY 2024
SCALE:	NTS
PM:	MWS
SHEET:	D02-24
	1

**SCOTT TOWNSHIP SEWER & WATER AUTHORITY
SEWER SYSTEM DETAILS**

SCOTT TOWNSHIP LACKAWANNA COUNTY PENNSYLVANIA



HERBERT, ROWLAND & GRUBIC, INC.
 P.O. BOX 504
 CLARKS SUMMIT, PA 18411
 570.851.2804 | hrg-inc.com



CAPACITY	A	B	C	D	E	F	G
500 GALLON	5'-0" DIA.	2 1/2"	2 1/2"	4"	4'-3"	4'-0"	5'-0"
1000 GALLON	6'-2" DIA.	3"	3"	4"	5'-2"	4'-11"	6'-1"

NOTE: OTHER CAPACITIES AVAILABLE

GREASE / OIL INTERCEPTORS NON-TRAFFIC RATED

NOT TO SCALE

PROJECT #: 10194.0427
 DATE: JULY 2024
 SCALE: NTS
 PM: MWS

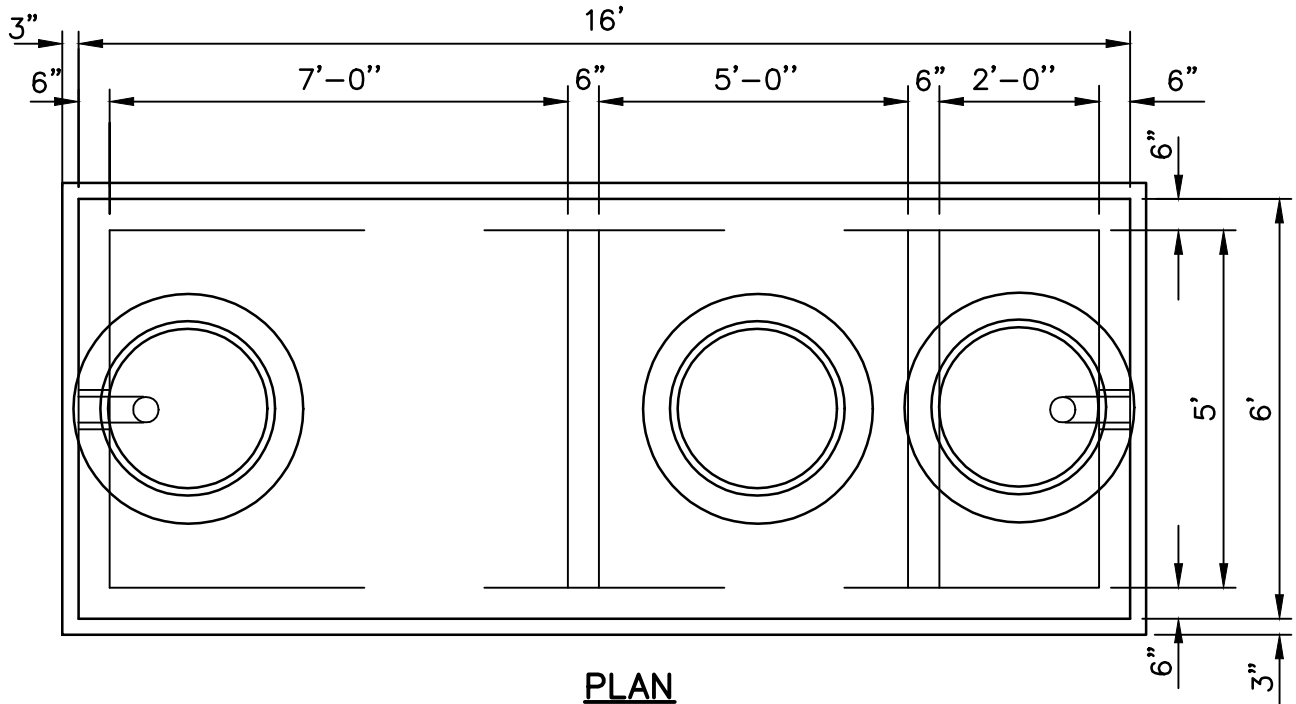
SCOTT TOWNSHIP SEWER & WATER AUTHORITY
 SEWER SYSTEM DETAILS



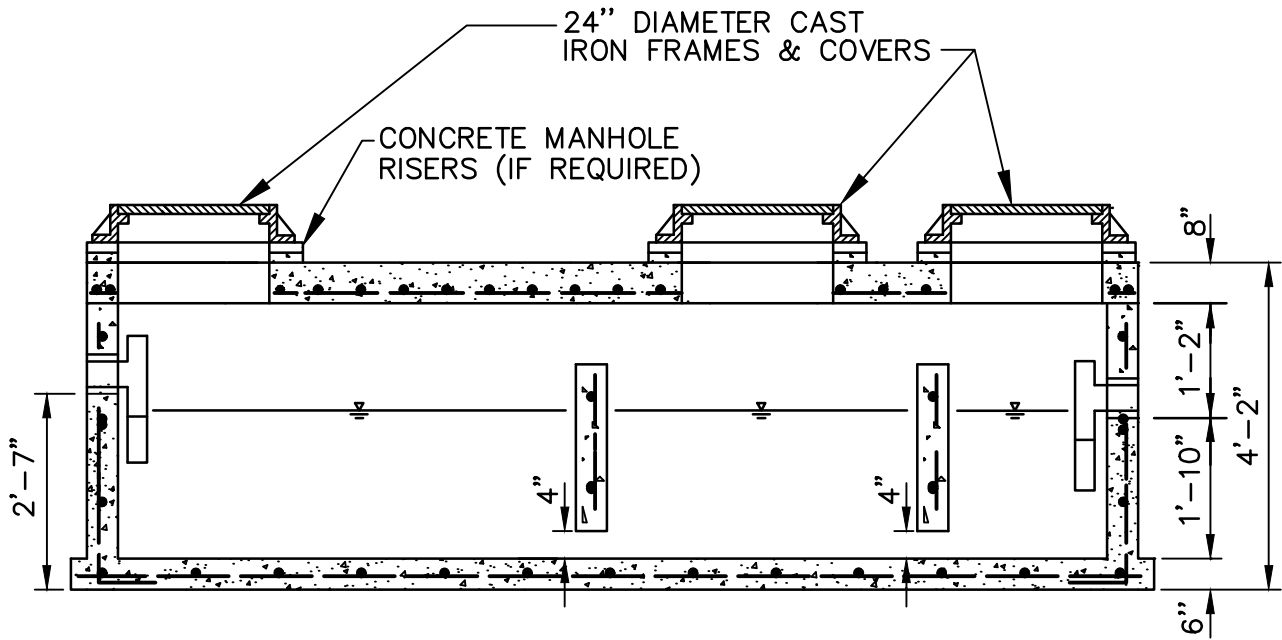
HERBERT, ROWLAND & GRUBIC, INC.
 P.O. BOX 504
 CLARKS SUMMIT, PA 18411
 570.851.2804 | hrg-inc.com

SHEET: **D02-24** **1**

SCOTT TOWNSHIP LACKAWANNA COUNTY PENNSYLVANIA



PLAN



SECTION

**1000 GALLON GREASE INTERCEPTOR
LOW PROFILE**

NOT TO SCALE

PROJECT #:	10194.0427
DATE:	JULY 2024
SCALE:	NTS
PM:	MWS

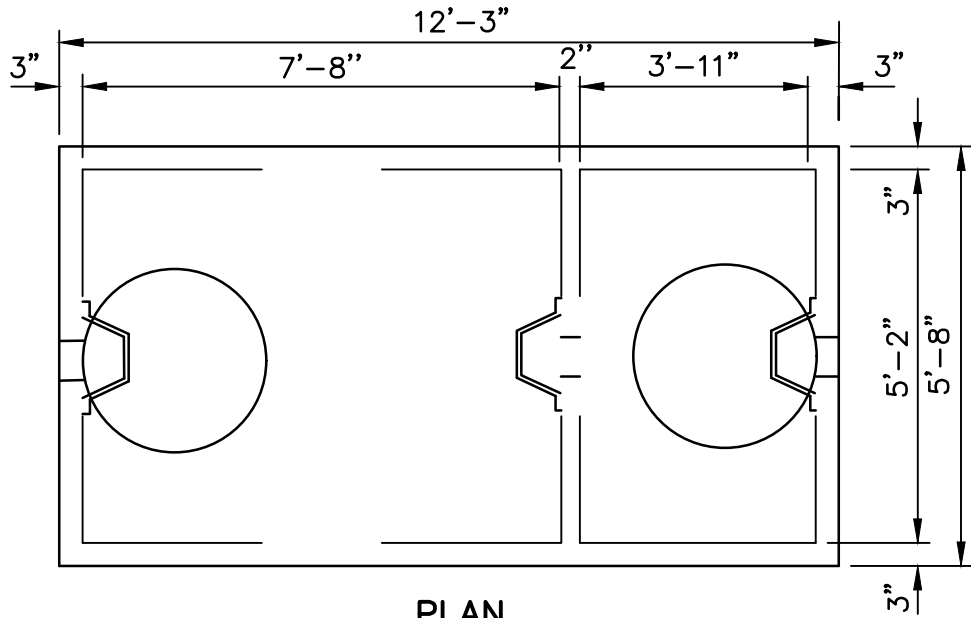
SHEET:	1
D02-24	

**SCOTT TOWNSHIP SEWER & WATER AUTHORITY
SEWER SYSTEM DETAILS**

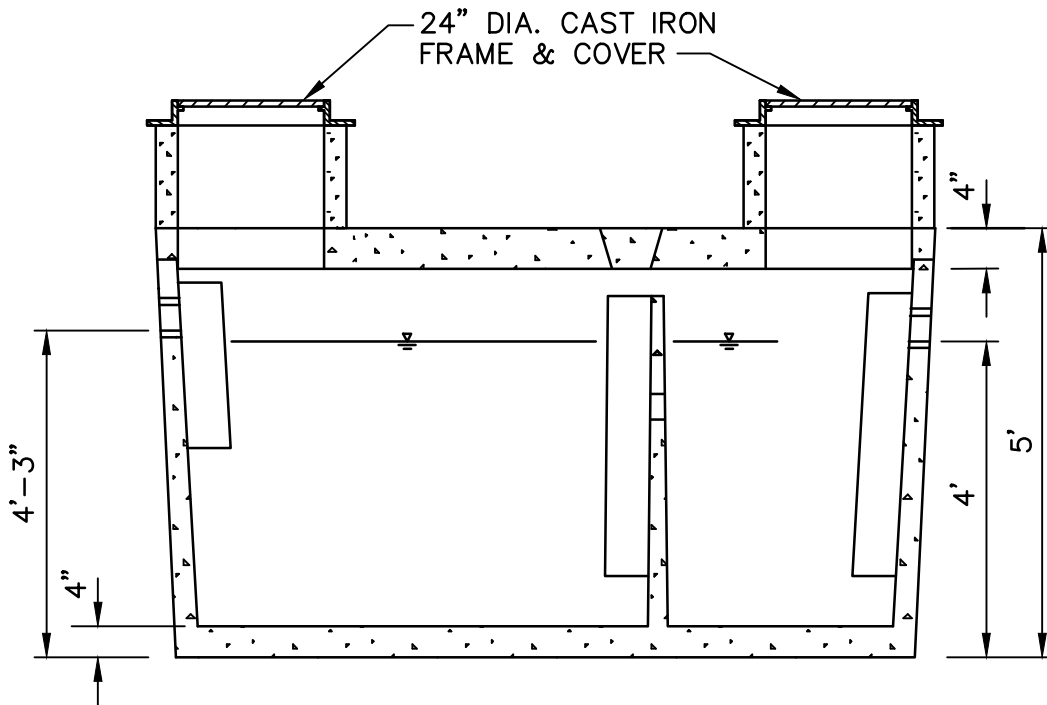
SCOTT TOWNSHIP LACKAWANNA COUNTY PENNSYLVANIA



HERBERT, ROWLAND & GRUBIC, INC.
P.O. BOX 504
CLARKS SUMMIT, PA 18411
570.851.2804 | hrg-inc.com



PLAN



SECTION

**PRECAST 2 COMPARTMENT GREASE TRAP
1500 GALLON CAPACITY**

NOT TO SCALE

PROJECT #:	10194.0427
DATE:	JULY 2024
SCALE:	NTS
PM:	MWS

SHEET:	1
D02-24	

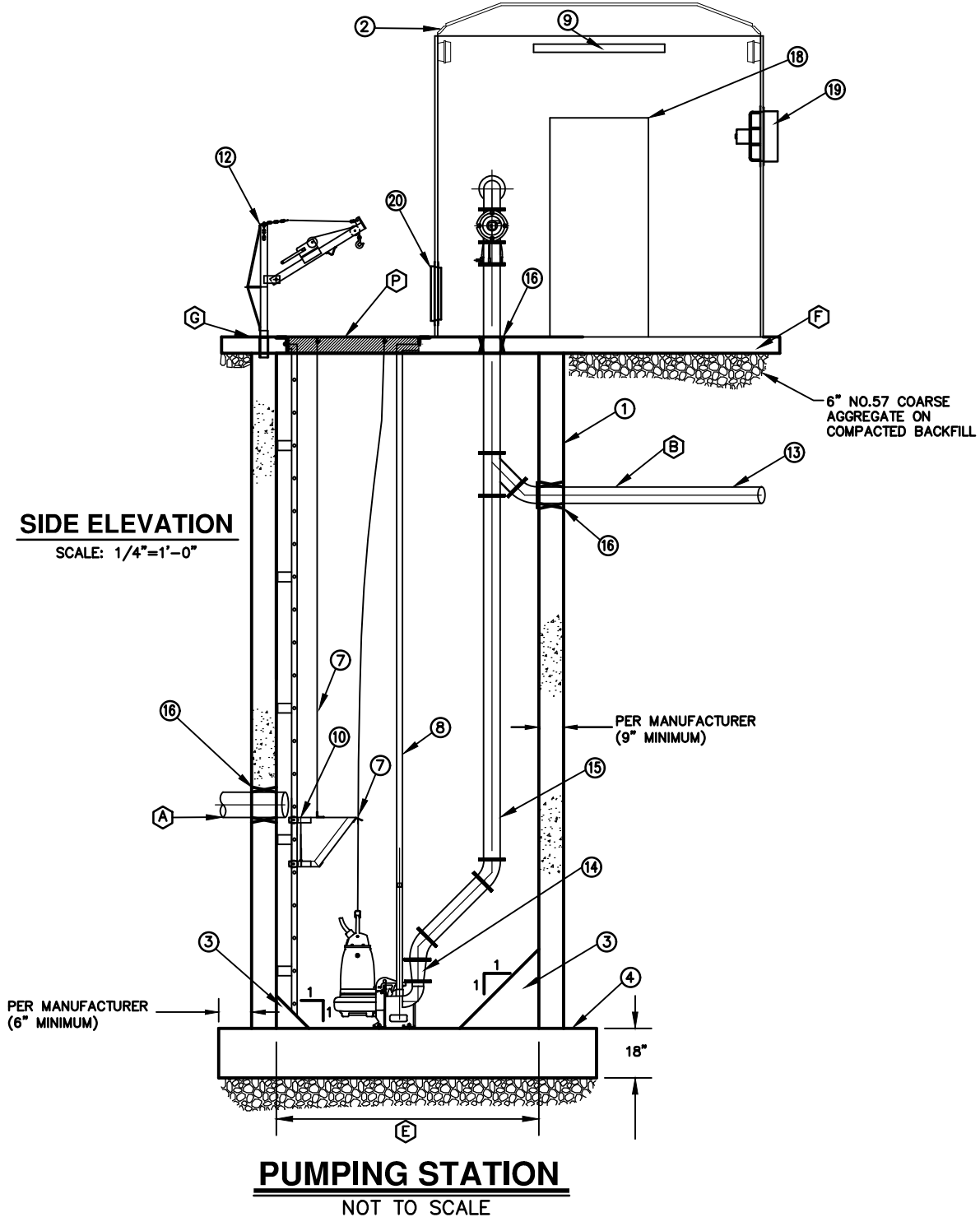
**SCOTT TOWNSHIP SEWER & WATER AUTHORITY
SEWER SYSTEM DETAILS**

SCOTT TOWNSHIP LACKAWANNA COUNTY PENNSYLVANIA



HERBERT, ROWLAND & GRUBIC, INC.
P.O. BOX 504
CLARKS SUMMIT, PA 18411
570.851.2804 | hrg-inc.com

SIDE ELEVATION
SCALE: 1/4"=1'-0"



PUMPING STATION
NOT TO SCALE

PROJECT #:	10194.0427
DATE:	JULY 2024
SCALE:	NTS
PM:	MWS
SHEET:	1
D02-24	

SCOTT TOWNSHIP SEWER & WATER AUTHORITY
SEWER SYSTEM DETAILS

SCOTT TOWNSHIP LACKAWANNA COUNTY PENNSYLVANIA



HERBERT, ROWLAND & GRUBIC, INC.
P.O. BOX 504
CLARKS SUMMIT, PA 18411
570.851.2804 | hrg-inc.com

FILE PATH & NAME: F:\010\010194_0427\C3D\Sewer Authority Details\Pumping_Station_Side_Elevation.dwg LAYOUT: LAYOUT 1 LAST PLOTTED: 7/30/2024 3:52 PM BY: BURKHART